



GHF

RASCHIATORI
WIPERS

TEF-RING

www.prhseals.com

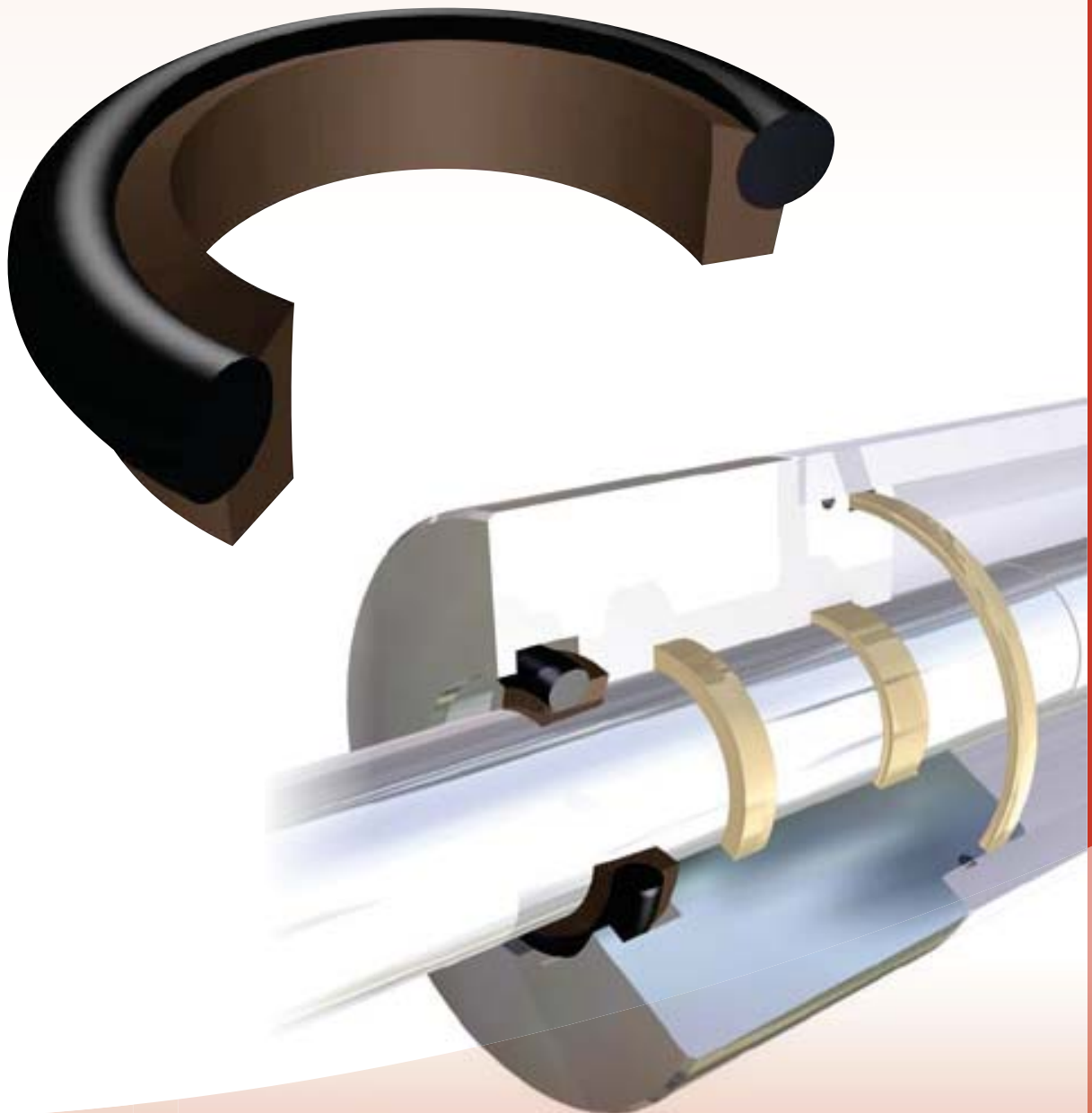
| | |
|---|--|
| Versione standard | Standard version |
| PTFE caricato bronzo +Anello spinta NBR | Bronze filled PTFE + Rubber Sealing Ring NBR |
| Versioni Alternative | Alternative Versions |
| PTFE caricato bronzo +Anello spinta NBR FKM | Bronze filled PTFE + Rubber Sealing Ring NBR |
| Velocità fino a / Speed up to | |
| 15 m/s | |
| Temperatura / Temperature | |
| -30°C +130°C <small>depending on O-ring material</small> | -20°C+200°C FKM |
| Applicazioni | Applications |
| Cilindri per Idroguidi Presse per Stampaggio Cilindri Idraulici | Steering Cylinders Injection moulding machines Hydraulic Cylinders |



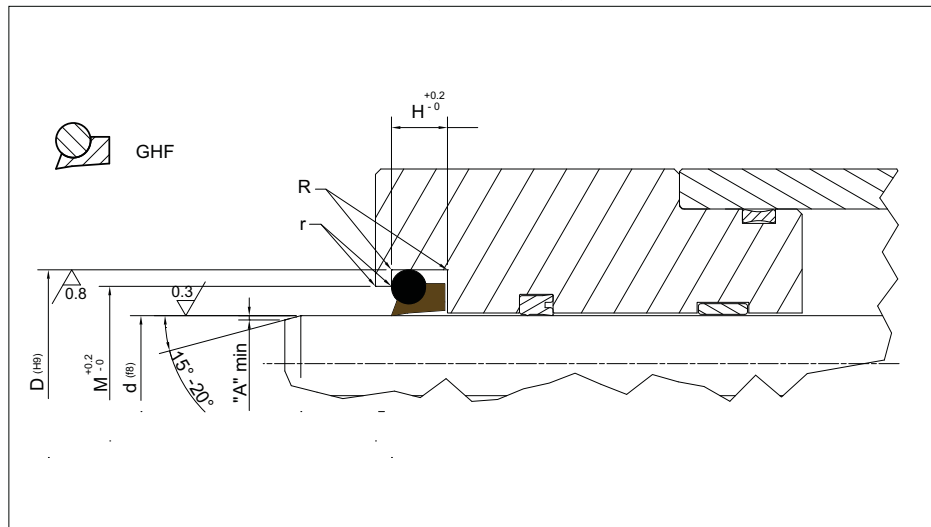
RASCHIATORI
WIPERS

GHF

274÷277



www.prhseals.com



Design wipers guidelines

| | | |
|---|------------|----------|
| R | R ≤ 0.5 mm | |
| r | r ≤ 0.3 mm | |
| A | D ≤ 70mm | D ≥ 70mm |
| | 4 mm | 6 mm |



| PART NR | DIMENSIONI SEDI / Housing dimensions | | | | |
|---------|--------------------------------------|--------|------|--------|-----|
| | d | D | H | M | OR |
| GHF 008 | 8,00 | 12,80 | 3,70 | 10,70 | 012 |
| GHF 010 | 10,00 | 14,80 | 3,70 | 12,70 | 013 |
| GHF 012 | 12,00 | 18,80 | 5,00 | 15,50 | 113 |
| GHF 014 | 14,00 | 20,80 | 5,00 | 17,50 | 114 |
| GHF 015 | 15,00 | 21,80 | 5,00 | 18,50 | 115 |
| GHF 016 | 16,00 | 22,80 | 5,00 | 19,50 | 116 |
| GHF 018 | 18,00 | 24,80 | 5,00 | 21,50 | 117 |
| GHF 020 | 20,00 | 26,80 | 5,00 | 23,50 | 118 |
| GHF 025 | 25,00 | 31,80 | 5,00 | 28,50 | 121 |
| GHF 028 | 28,00 | 34,80 | 5,00 | 31,50 | 123 |
| GHF 030 | 30,00 | 36,80 | 5,00 | 33,50 | 124 |
| GHF 032 | 32,00 | 38,80 | 5,00 | 35,50 | 126 |
| GHF 035 | 35,00 | 41,80 | 5,00 | 38,50 | 127 |
| GHF 040 | 40,00 | 46,80 | 5,00 | 43,50 | 131 |
| GHF 045 | 45,00 | 51,80 | 5,00 | 48,50 | 134 |
| GHF 050 | 50,00 | 56,80 | 5,00 | 53,50 | 137 |
| GHF 055 | 55,00 | 61,80 | 5,00 | 58,50 | 140 |
| GHF 060 | 60,00 | 66,80 | 5,00 | 63,50 | 143 |
| GHF 065 | 65,00 | 73,80 | 6,00 | 69,00 | 231 |
| GHF 070 | 70,00 | 78,80 | 6,00 | 74,00 | 233 |
| GHF 075 | 75,00 | 83,80 | 6,00 | 79,00 | 234 |
| GHF 080 | 80,00 | 88,80 | 6,00 | 84,00 | 236 |
| GHF 085 | 85,00 | 93,80 | 6,00 | 89,00 | 237 |
| GHF 090 | 90,00 | 98,80 | 6,00 | 94,00 | 239 |
| GHF 095 | 95,00 | 103,80 | 6,00 | 99,00 | 241 |
| GHF 100 | 100,00 | 108,80 | 6,00 | 104,00 | 242 |
| GHF 110 | 110,00 | 118,80 | 6,00 | 114,00 | 245 |

