





















# PRH SEALS GROUP (INDIA)

PROFILO PROFILE	TIPO SEAL TYPE	valori • technical data			MATERIALE MATERIAL	 light	 medium	 heavy	pagina page
		MPa	speed m/s	temp. °C					
	<b>TSE</b>	25	0,5	-30 +110	NBR + Tessuto NBR + Fabric	•	• •		16÷24
	<b>TSE/Al</b>	40	0,5	-30 +110	NBR + Tessuto + POM NBR + Fabric + POM	•	• • •	• • • •	16÷24
	<b>TGO</b>	25	0,5	-30 +110	NBR + Tessuto NBR + Fabric	•	• •		26÷29
	<b>GT/5</b>	40	0,5	-30 +110	NBR + Tessuto NBR + Fabric		• • •	• • • •	30÷39
	<b>GT/7</b>	40	0,5	-30 +110	NBR + Tessuto NBR + Fabric		• • •	• • •	30÷39
	<b>PSE PSE/K</b>	70	0,5	-30 +110	NBR + Tessuto + POM NBR + Fabric + POM		• • •	• • • •	40÷45
	<b>TTS</b>	40	0,5	-35 +100	Poliuretano Polyurethane	•	• •		46÷58
	<b>TTS/L</b>	40	0,5	-35 +100	Poliuretano Polyurethane	•	• •		46÷58
	<b>TTI</b>	40	0,5	-35 +100	Poliuretano Polyurethane	•	• •		60÷77
	<b>TTI/L</b>	40	0,5	-35 +100	Poliuretano Polyurethane	•	• • •	• • • •	60÷77
	<b>TTH/Al</b>	40	0,5	-35 +100	Poliuretano + POM Polyurethane + POM		• • •	• • • •	78÷81
	<b>TTX TTX+S</b>	40 50	1,0	-35 +100	Poliuretano Polyurethane		• • •	• • • •	82÷86
	<b>GIP</b>	25	0,5	-35 +100	Poliuretano + NBR Polyurethane + NBR	•	• •		88÷90
	<b>TLI</b>	50	1,0	-30 +110	NBR + Tessuto NBR + Fabric		• • •	• • • •	92÷95
	<b>GUA-RING O2</b>	50	12	-30 +100	PTFE + NBR PTFE + NBR		• • •	• • • •	96÷100
	<b>GUA-RING GIR</b>	50	15	-30 +100	PTFE + NBR PTFE + NBR		• • •	• • • •	102÷106
	<b>BUFFER</b>	40	0,8	-35 +100	Poliuretano + POM Polyurethane + POM		• • •	• • • •	108÷110

www.prhseals.com



**guarnizioni per STELO**

**ROD seals**

**www.prhseals.com**



**TSE  
TSE/AI**

**Guarnizioni per STELO  
ROD seals**



**www.prhseals.com**

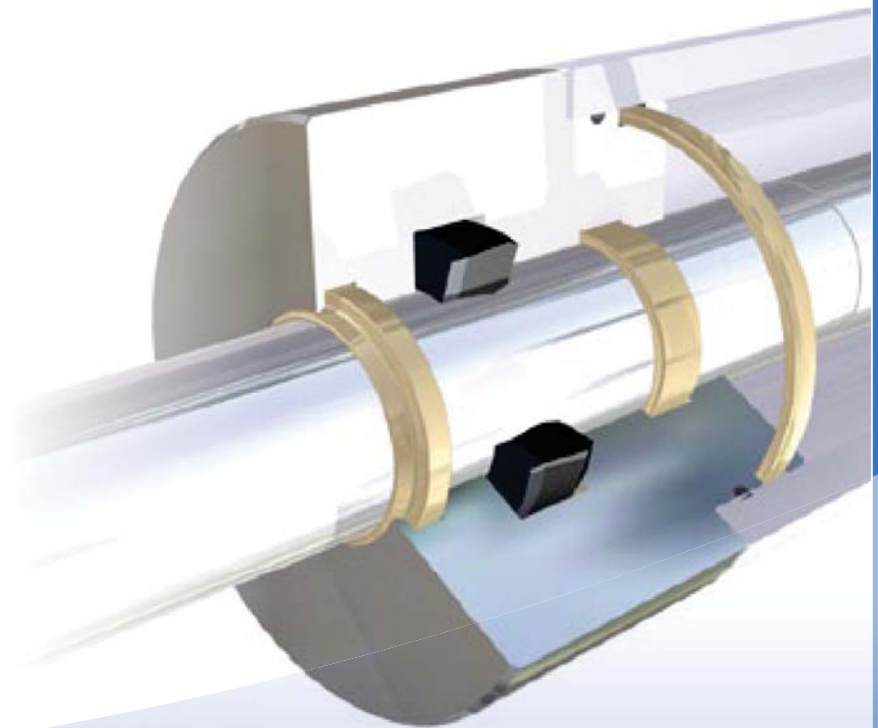
<b>Versione standard</b>		<b>Standard version</b>	
TSE	Gommatela	TSE	NBR/Cotton Fabric
TSE/AI	Gommatela+POM	TSE/AI	NBR/Cotton Fabric+POM
<b>Versioni Alternative</b>		<b>Alternative Versions</b>	
TSE FKM	Gommatela FKM	TSE FKM	NBR/Cotton Fabric FKM
TSE/AI FKM	Gommatela FKM+POM	TSE/AI FKM	NBR/Cotton Fabric FKM+POM
<b>Pressione fino a / Pressure up to</b>			
25 MPa TSE		40 MPa TSE/AI	
<b>Velocità fino a / Speed up to</b>			
0.5 m/s			
<b>Temperatura / Temperature</b>			
-30° +110°C		-20°C +200°C FKM	
<b>Applicazioni</b>		<b>Applications</b>	
Cilindri idraulici Presse idrauliche Montacarichi		Standard hydraulic cylinders Presses Lifts	



Guarnizioni per STELO  
ROD seals

## TSE • TSE/AI

16÷24



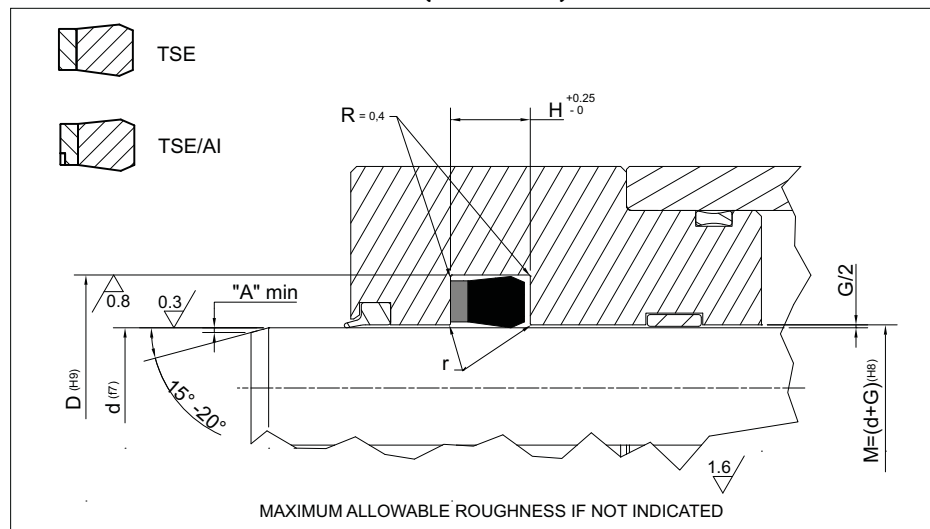
[www.prhseals.com](http://www.prhseals.com)

# PRH SEALS GROUP (INDIA)

**TECNOTEX**

Guarnizioni per STELO  
ROD seals

**TSE**  
**TSE/AI**



### Rod Seal design guidelines

	0mm < d ≤ 50mm	50mm < d ≤ 100mm	100mm < d ≤ 150mm	d ≥ 150mm
r	remove sharp edges			
A	1 mm	2 mm	3 mm	3 mm < A ≤ 5 mm

### Operating pressure to determinate Maximum Gap Allowance: G/2

G	Profile Dimension	> 16 MPa	> 26 MPa	> 32 MPa	> 40 MPa
	≤ 5		0.50 mm	0.40 mm	0.35 mm
> 5.0 – 7.5		0.55 mm	0.45 mm	0.40 mm	0.35 mm
> 7.5 – 12.5		0.60 mm	0.50 mm	0.45 mm	0.40 mm
15		0.65 mm	0.55 mm	0.45 mm	0.40 mm

PART NR		DIMENSIONI SEDI / Housing dimensions		
		d	D	H
TSE 2001	047019/A	5,00	12,00	6,50
TSE 2002	051023/A	6,00	13,00	6,50
TSE 2003	059031/A	8,00	15,00	6,50
TSE 2003/1	070039/1	10,00	18,00	6,00
TSE 2004	075047/A	12,00	19,00	6,50
TSE 2005	086055/A	14,00	22,00	6,50
TSE 2006	086055	14,00	22,00	6,50
TSE 2006/1	087062	15,87	22,22	5,25
TSE 2006/3	090047	12,00	23,00	7,50
TSE 2006/2	090055	14,00	23,00	7,00
TSE 2007	090059	15,00	23,00	6,30
TSE 2007/1	090063	16,00	23,00	7,00
TSE 2008	094063/1	16,00	24,00	6,40
TSE 2009	094063	16,00	24,00	7,00
TSE 2010	102070/A	18,00	26,00	6,50
TSE 2011	102070	18,00	26,00	7,00
TSE 2012	106059	15,00	27,00	7,00
TSE 2013	106078	20,00	27,00	6,50
TSE 2014	110070	18,00	28,00	6,30
TSE 2014/2	110070/1	18,00	28,00	9,50
TSE 2014/1	118070	18,00	30,00	7,50
TSE 2015	110078/1	20,00	28,00	6,30
TSE 2016	110078	20,00	28,00	7,00
TSE 2017	118078	20,00	30,00	8,50
TSE 2018	118086/A	22,00	30,00	6,50
TSE 2019	118086	22,00	30,00	7,00
TSE 2019/3	124098	25,00	32,00	7,00

www.prhseals.com

# PRH SEALS GROUP (INDIA)

PART NR		DIMENSIONI SEDI / Housing dimensions		
		d	D	H
TSE 2019/2	125087	22,09	31,75	9,20
TSE 2019/1	125094	24,00	32,00	7,50
TSE 2020	129098	25,00	33,00	6,40
TSE 2021	133086	22,00	34,00	9,50
TSE 2022	134094	24,00	34,00	6,50
TSE 2023	137078	20,00	35,00	11,50
TSE 2024	137086	22,00	35,00	10,00
TSE 2025	137098	25,00	35,00	9,00
TSE 2025/2	137100	25,40	34,90	6,35
TSE 2026	137106	27,00	35,00	6,50
TSE 2027	141110	28,00	36,00	6,40
TSE 2027/1	143093	23,81	36,51	10,00
TSE 2028	147118	30,00	37,50	6,50
TSE 2029	149098	25,00	38,00	10,00
TSE 2030	149110/1	28,00	38,00	8,00
TSE 2031	149118	30,00	38,00	6,40
TSE 2031/1	150100	25,40	38,10	10,00
TSE 2031/2	157078	20,00	40,00	9,50
TSE 2032	157102/1	26,00	40,00	10,00
TSE 2033	157110	28,00	40,00	9,50
TSE 2033/1	156111	28,19	39,68	8,00
TSE 2034	157118	30,00	40,00	7,50
TSE 2035	157125/A	32,00	40,00	6,40
TSE 2036	157125	32,00	40,00	9,00
TSE 2037	161110	28,00	41,00	10,00
TSE 2037/1	162112	28,57	41,27	10,00
TSE 2037/2	165125	32,00	42,00	9,70
TSE 2038	169137	35,00	43,00	6,50
TSE 2038/1	169137/1	35,00	43,00	8,00
TSE 2039	169141	36,00	43,00	6,50
TSE 2040	173098	25,00	44,00	12,50
TSE 2041	173125	32,00	44,00	11,50
TSE 2042	173141/1	36,00	44,00	6,50
TSE 2042/1	177102	26,00	45,00	6,50
TSE 2043	177118/1	30,00	45,00	9,00
TSE 2044	177125	32,00	45,00	10,00
TSE 2045	177137/2	35,00	45,00	13,50
TSE 2045/1	177137/3	35,00	45,00	10,50
TSE 2046	177137/5	35,00	45,00	8,00
TSE 2047	181141	36,00	46,00	8,50
TSE 2048	188141	36,00	48,00	9,50
TSE 2048/1	188141/1	36,00	48,00	11,00
TSE 2049	188157	40,00	48,00	6,50
TSE 2049/1	188157/1	40,00	48,00	9,00
TSE 2050	196118	30,00	50,00	14,50
TSE 2051	196137	35,00	50,00	11,50
TSE 2052	196149	38,00	50,00	9,50
TSE 2053	196157/3	40,00	50,00	8,00
TSE 2054	196157/1	40,00	50,00	10,00
TSE 2055	196157	40,00	50,00	11,00
TSE 2056	196157/2	40,00	50,00	13,50
TSE 2056/1	204157	40,00	52,00	11,50

**TECNOTEX**

Guarnizioni per STELO  
ROD seals

**TSE**  
**TSE/AI**

[www.prhseals.com](http://www.prhseals.com)





**PRH SEALS GROUP (INDIA)**

PART NR		DIMENSIONI SEDI / Housing dimensions		
		d	D	H
TSE 2057	196165	42,00	50,00	6,50
TSE 2057/1	224165	42,00	57,00	10,50
TSE 2058	200137/2	34,92	50,80	11,60
TSE 2059	200148	37,72	50,80	9,00
TSE 2060	204177	45,00	52,00	10,50
TSE 2061	208169	43,00	53,00	9,00
TSE 2062	208177	45,00	53,00	6,50
TSE 2062/1	208177/1	45,00	53,00	11,00
TSE 2063	216157	40,00	55,00	7,50
TSE 2064	216157/1	40,00	55,00	11,00
TSE 2064/1	216157/2	40,00	55,00	10,50
TSE 2065	216177	45,00	55,00	8,00
TSE 2066	216177/1	45,00	55,00	11,00
TSE 2067	212181	46,00	54,00	8,00
TSE 2068	220181	46,00	56,00	8,00
TSE 2069	228196	50,00	58,00	12,50
TSE 2069/1	228195/1	50,00	58,00	8,50
TSE 2070	236157	40,00	60,00	14,50
TSE 2071	236177	45,00	60,00	10,50
TSE 2072	236188	48,00	60,00	7,00
TSE 2073	236196	50,00	60,00	8,00
TSE 2074	236196/1	50,00	60,00	10,00
TSE 2075	237175	44,45	60,32	11,60
TSE 2076	244196/1	50,00	62,00	9,50
TSE 2077	248177	45,00	63,00	11,00
TSE 2078	250212	53,92	63,50	7,00
TSE 2079	255177	45,00	65,00	14,50
TSE 2080	255196	50,00	65,00	11,00
TSE 2080/1	255196/1	50,00	65,00	13,00
TSE 2081	255216	55,00	65,00	11,00
TSE 2082	255216/1	55,00	65,00	8,00
TSE 2083	259212	54,00	66,00	9,50
TSE 2084	259220	56,00	66,00	8,00
TSE 2085	262200	50,80	66,67	11,50
TSE 2086	263224	57,00	67,00	8,00
TSE 2087	267236	60,00	68,00	12,50
TSE 2088	271240	61,00	69,00	8,50
TSE 2089	273236	60,00	69,50	7,00
TSE 2090	275225	57,15	69,85	10,00
TSE 2091	275196	50,00	70,00	14,50
TSE 2092	275216	55,00	70,00	10,50
TSE 2093	275236	60,00	70,00	8,00
TSE 2093/1	275236/1	60,00	70,00	10,00
TSE 2094	275236/2	60,00	70,00	13,00
TSE 2094/1	275236/3	60,00	70,00	11,00
TSE 2095	279220	56,00	71,00	11,50
TSE 2095/1	279220/1	56,00	71,00	12,50
TSE 2096	283236	60,00	72,00	10,00
TSE 2097	295216	55,00	75,00	14,50
TSE 2098	295236	60,00	75,00	13,00
TSE 2099	295248	63,00	75,00	11,00
TSE 2100	295255	65,00	75,00	13,50

# PRH SEALS GROUP (INDIA)

PART NR		DIMENSIONI SEDI / Housing dimensions		
		d	D	H
TSE 2100/1	295255/1	65,00	75,00	8,50
TSE 2101	299220	56,00	76,00	14,50
TSE 2101/1	300225	57,15	76,20	10,00
TSE 2102	303255	65,00	77,00	9,60
TSE 2103	314236	60,00	80,00	14,00
TSE 2104	314255	65,00	80,00	11,50
TSE 2105	314255/2	65,00	80,00	12,50
TSE 2105/1	337262	66,67	85,72	14,80
TSE 2106	312267	68,00	79,40	10,00
TSE 2107	314275	70,00	80,00	13,00
TSE 2108	314275/1	70,00	80,00	8,00
TSE 2109	322275/1	70,00	82,00	9,60
TSE 2110	326248	63,00	83,00	14,50
TSE 2111	330275	70,00	84,00	12,50
TSE 2112	330283	72,00	84,00	6,00
TSE 2113	330299	76,00	84,00	8,50
TSE 2114	334255	65,00	85,00	14,50
TSE 2115	334275/1	70,00	85,00	12,00
TSE 2116	334295/1	75,00	85,00	8,00
TSE 2117	334295/2	75,00	85,00	11,00
TSE 2118	342295	75,00	87,00	10,00
TSE 2119	342303	77,00	87,00	8,00
TSE 2120	354275	70,00	90,00	14,50
TSE 2121	354295	75,00	90,00	11,50
TSE 2121/1	356295	75,50	90,00	14,00
TSE 2122	354307	78,00	90,00	12,00
TSE 2123	354314	80,00	90,00	8,00
TSE 2124	354314/1	80,00	90,00	11,00
TSE 2125	354314/2	80,00	90,00	13,00
TSE 2125/1	358314	80,00	91,00	10,50
TSE 2126	362314	80,00	92,00	9,60
TSE 2127	370330	84,00	94,00	8,00
TSE 2127/1	374314	80,00	95,00	12,00
TSE 2128	374295	75,00	95,00	14,50
TSE 2129	374334	85,00	95,00	8,00
TSE 2130	377314	80,00	96,00	10,50
TSE 2131	381334	85,00	97,00	9,60
TSE 2132	389358	91,00	99,00	8,50
TSE 2133	393314/1	80,00	100,00	12,00
TSE 2134	393314	80,00	100,00	14,50
TSE 2135	393334	85,00	100,00	12,00
TSE 2136	393354	90,00	100,00	10,50
TSE 2137	401354	90,00	102,00	9,60
TSE 2138	412337	85,72	104,77	14,80
TSE 2138/1	413334/1	85,00	105,00	14,00
TSE 2139	413334	85,00	105,00	14,80
TSE 2140	413377	96,00	105,00	11,50
TSE 2141	413354	90,00	105,00	9,50
TSE 2142	413354/1	90,00	105,00	12,50
TSE 2142/1	413354/2	90,50	105,00	14,00
TSE 2143	413374	95,00	105,00	11,00
TSE 2144	418354	90,00	106,20	10,80

**TECNOTEX**

Guarnizioni per STELO  
ROD seals

**TSE**  
**TSE/AI**

[www.prhseals.com](http://www.prhseals.com)





**PRH SEALS GROUP (INDIA)**

PART NR		DIMENSIONI SEDI / Housing dimensions		
		d	D	H
TSE 2145	421374	95,00	107,00	12,50
TSE 2146	423385	98,00	107,50	7,00
TSE 2147	425350	88,90	107,95	12,70
TSE 2148	433354	90,00	110,00	12,50
TSE 2149	433354/1	90,00	110,00	14,50
TSE 2149/2	433374	95,00	110,00	13,00
TSE 2149/1	441374	95,00	112,00	12,00
TSE 2150	444393	100,00	113,00	13,50
TSE 2151	450350/2	88,90	114,30	19,50
TSE 2152	450375	95,25	114,30	13,50
TSE 2153	452393/1	100,00	115,00	11,50
TSE 2153/1	452393	100,00	115,00	12,50
TSE 2154	452413	105,00	115,00	11,00
TSE 2154/1	452413/1	105,00	115,00	8,00
TSE 2155	472393/1	100,00	120,00	12,00
TSE 2156	472393	100,00	120,00	14,50
TSE 2157	472409	104,00	120,00	11,20
TSE 2158	472413	105,00	120,00	12,00
TSE 2159	492413	105,00	125,00	12,50
TSE 2159/1	492413/1	105,00	125,00	14,50
TSE 2159/2	457417	106,00	116,00	8,00
TSE 2160	492433	110,00	125,00	12,00
TSE 2161	492393	100,00	125,00	13,30
TSE 2162	492452	115,00	125,00	8,00
TSE 2163	511433	110,00	130,00	12,50
TSE 2164	511433/1	110,00	130,00	14,50
TSE 2164/1	522433	110,00	132,00	14,00
TSE 2165	511452	115,00	130,00	12,50
TSE 2166	511464	118,00	130,00	12,50
TSE 2167	522472	120,00	132,70	10,00
TSE 2168	525425	107,95	133,35	19,50
TSE 2169	531433	110,00	135,00	15,50
TSE 2169/1	551433	110,00	140,00	15,50
TSE 2170	531472	120,00	135,00	12,50
TSE 2170/1	535496	126,00	136,00	8,00
TSE 2171	550450	114,30	139,70	19,50
TSE 2172	551472	120,00	140,00	12,50
TSE 2173	551472/1	120,00	140,00	14,50
TSE 2174	551492	125,00	140,00	12,50
TSE 2175	551511	130,00	140,00	8,00
TSE 2175/1	570472/1	120,00	145,00	12,00
TSE 2176	570472	120,00	145,00	18,80
TSE 2177	570492	125,00	145,00	16,00
TSE 2177/1	535496	126,00	136,00	8,00
TSE 2178	570511	130,00	145,00	15,00
TSE 2178/1	570511/1	130,00	145,00	12,50
TSE 2179	590492	125,00	150,00	14,50
TSE 2180	590511	130,00	150,00	16,00
TSE 2181	590511/1	130,00	150,00	14,50
TSE 2182	590551	140,00	150,00	11,00
TSE 2183	610511	130,00	155,00	18,80
TSE 2184	610551	140,00	155,00	13,00

# PRH SEALS GROUP (INDIA)

PART NR		DIMENSIONI SEDI / Housing dimensions		
		d	D	H
TSE 2185	620570	145,00	157,70	10,00
TSE 2186	629551	140,00	160,00	12,50
TSE 2187	629551/A	140,00	160,00	16,00
TSE 2188	629551/1	140,00	160,00	14,50
TSE 2189	649590	150,00	165,00	13,00
TSE 2190	669590	150,00	170,00	14,50
TSE 2190/1	700624	158,50	178,00	13,00
TSE 2191	669590/A	150,00	170,00	16,00
TSE 2192	669610	155,00	170,00	9,50
TSE 2193	688590	150,00	175,00	18,00
TSE 2194	688629	160,00	175,00	16,00
TSE 2195	700650	165,10	177,80	10,00
TSE 2196	708590	150,00	180,00	14,00
TSE 2197	708629	160,00	180,00	14,00
TSE 2197/1	708629/1	160,00	180,00	13,50
TSE 2198	708629/2	160,00	180,00	16,00
TSE 2198/1	767649	165,00	195,00	20,00
TSE 2199	719669	170,00	182,70	10,00
TSE 2199/1	729629	160,00	185,00	16,00
TSE 2200	787669	170,00	200,00	23,50
TSE 2201	787708	180,00	200,00	14,50
TSE 2202	787708/1	180,00	200,00	16,00
TSE 2202/1	800740	188,00	203,00	12,20
TSE 2203	800740	188,00	203,00	13,00
TSE 2204	800700	177,80	203,20	22,70
TSE 2205	819779	198,00	208,00	12,00
TSE 2205/1	821771	196,00	208,70	10,50
TSE 2206	826708/1	180,00	210,00	20,50
TSE 2207	826748	190,00	210,00	14,50
TSE 2208	850725	184,15	215,90	25,80
TSE 2208/1	846768	195,00	215,00	14,50
TSE 2209	866787	200,00	220,00	14,50
TSE 2210	866787/A	200,00	220,00	16,00
TSE 2211	900775	196,85	228,60	25,80
TSE 2212	901842	214,00	229,00	13,00
TSE 2213	905787	200,00	230,00	20,50
TSE 2213/1	931881	224,00	236,70	9,50
TSE 2214	944826	210,00	240,00	22,50
TSE 2215	984866	220,00	250,00	20,50
TSE 2216	1003885	225,00	255,00	22,50
TSE 2217	1015937	238,00	258,00	15,50
TSE 2217/1	1100975	247,65	279,40	25,80
TSE 2218	1024905	230,00	260,00	19,50
TSE 2219	1054937	238,00	268,00	21,00
TSE 2220	1122984	250,00	285,00	16,50
TSE 2221	1141984	250,00	290,00	25,50
TSE 2222	11411024	260,00	290,00	20,00
TSE 2223	12201141	290,00	310,00	15,00
TSE 2224	12591102	280,00	320,00	22,50
TSE 2225	12591141	290,00	320,00	20,50
TSE 2225/1	12751150	292,10	323,85	25,80
TSE 2226	12991220	310,00	330,00	16,50

## TECNOTEX

Guarnizioni per STELO  
ROD seals

# TSE TSE/AI

www.prhseals.com







[www.prhseals.com](http://www.prhseals.com)



## TGO

Guarnizioni per STELO  
ROD seals

## TECNOTEX

<b>Versione standard</b>	<b>Standard version</b>
Gommatela	NBR/Cotton Fabric
<b>Versioni Alternative</b>	<b>Alternative Versions</b>
Gommatela FKM	NBR/Cotton Fabric FKM
<b>Pressione fino a / Pressure up to</b>	
25 MPa	
<b>Velocità fino a / Speed up to</b>	
0.5 m/s	
<b>Temperatura / Temperature</b>	
-30°C +110°C	-20°C +200°C FKM
<b>Applicazioni</b>	<b>Applications</b>
Cilindri idraulici per agricoltura Cilindri per industria leggera	Agricultural cylinders Light duty Industrial cylinders

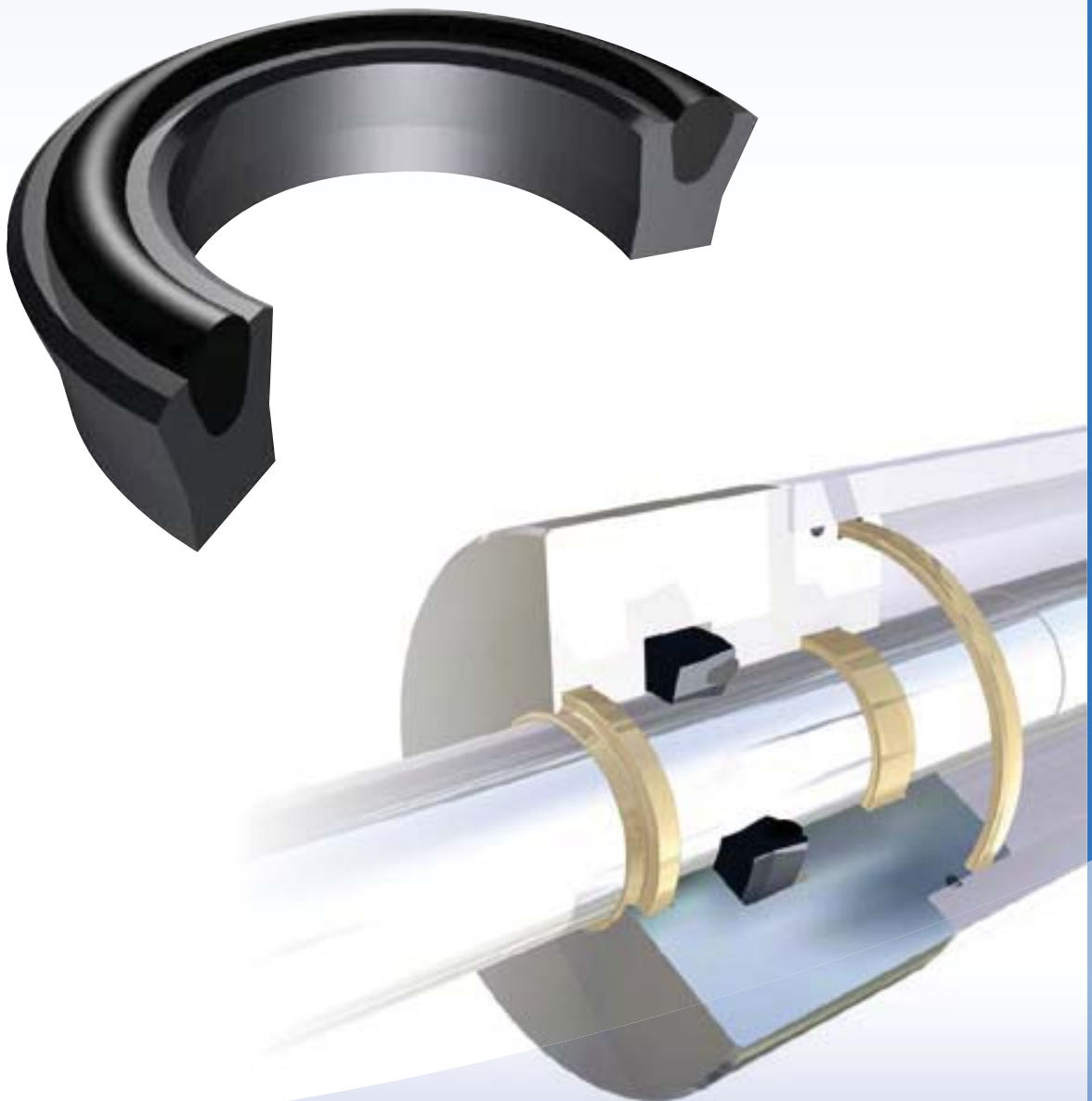
[www.prhseals.com](http://www.prhseals.com)



Guarnizioni per STELO  
ROD seals

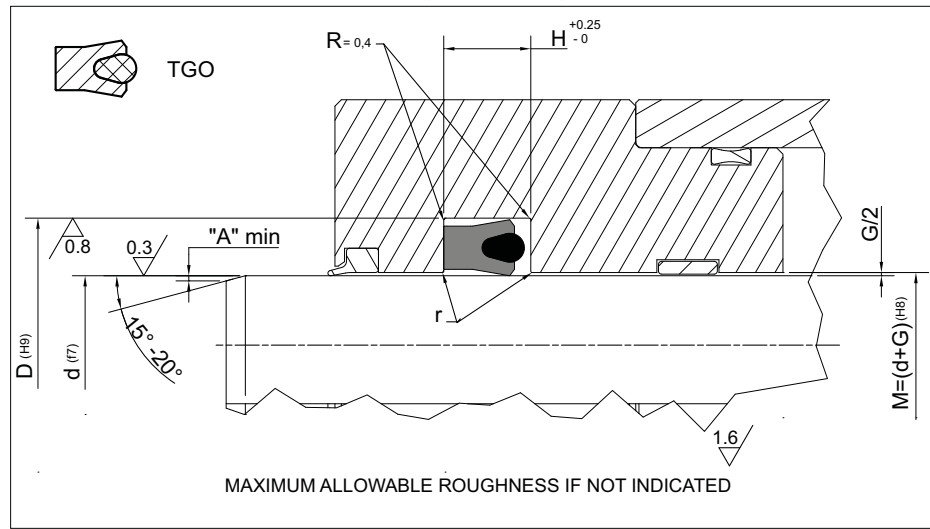
## TGO

26÷29



[www.prhseals.com](http://www.prhseals.com)

**PRH SEALS GROUP (INDIA)**



**Rod Seal design guidelines**

	0mm < d ≤ 50mm	50mm < d ≤ 100mm	100mm < d ≤ 150mm	d ≥ 150mm
r	remove sharp edges			
A	1 mm	2 mm	3 mm	3 mm < A ≤ 5 mm

**Operating pressure to determinate Maximum Gap Allowance: G/2**

G	Profile Dimension	> 16 MPa	> 25 MPa
	≤ 5	0.50 mm	0.40 mm
> 5.0 – 7.5	0.55 mm	0.45 mm	
> 7.5 – 12.5	0.60 mm	0.50 mm	
15	0.65 mm	0.55 mm	

PART NR		DIMENSIONI SEDI / Housing dimensions		
		d	D	H
TGO 2501	047019	5,00	12,00	6,40
TGO 2502	051023	6,00	13,00	6,40
TGO 2503	059031	8,00	15,00	6,40
TGO 2504	066039	10,00	17,00	6,40
TGO 2504/1	066039/S1	10,00	18,00	6,50
TGO 2504/2	066039/S2	10,00	18,00	8,50
TGO 2505	074047	12,00	19,00	6,40
TGO 2506	086055	14,00	22,00	6,40
TGO 2507	090059	15,00	23,00	6,40
TGO 2508	094063	16,00	24,00	6,40
TGO 2509	102070	18,00	26,00	6,40
TGO 2510	110078	20,00	28,00	6,40
TGO 2511	118086	22,00	30,00	6,40
TGO 2511/1	125094	24,00	32,00	5,00
TGO 2512	129098	25,00	33,00	6,40
TGO 2513	141110	28,00	36,00	6,40
TGO 2514	149118	30,00	38,00	6,40
TGO 2515	157125	32,00	40,00	6,40
TGO 2516	169137	35,00	43,00	6,40
TGO 2516/1	169137/S1	35,00	43,00	8,50
TGO 2517	173141	36,00	44,00	6,40
TGO 2518	188157	40,00	48,00	6,40
TGO 2519	196165	42,00	50,00	6,40
TGO 2519/1	208177	45,00	53,00	8,50
TGO 2520	216177	45,00	55,00	8,00
TGO 2521	236196	50,00	60,00	8,00
TGO 2521/1	244196	50,00	62,00	9,60





## GT/5 GT/7

Guarnizioni per STELO  
ROD seals

**TECNOTEX**



Versione standard	Standard version
Base TPE V-Ring NBR + V-Ring Gommatela Anello di testa POM	Base Ring TPE V-Ring NBR + V-Ring NBR/Cotton Fabric Header Ring POM
Versioni Alternative	Alternative Versions
GT FKM GT Base AI GT Tutta Tela	GT FKM GT Base Ring AI All Cotton Fabric GT
Pressione fino a / Pressure up to	
40 MPa GT	60 MPa GT/AI
Velocità fino a / Speed up to	
0.5 m/s	
Temperatura / Temperature	
-30°C +110°C	-20°C +200°C FKM
Applicazioni	Applications
Presse Siderurgia Acciairie Cesoie Idrauliche	Presses Steel Mills Continuous Casting Scrape Shears

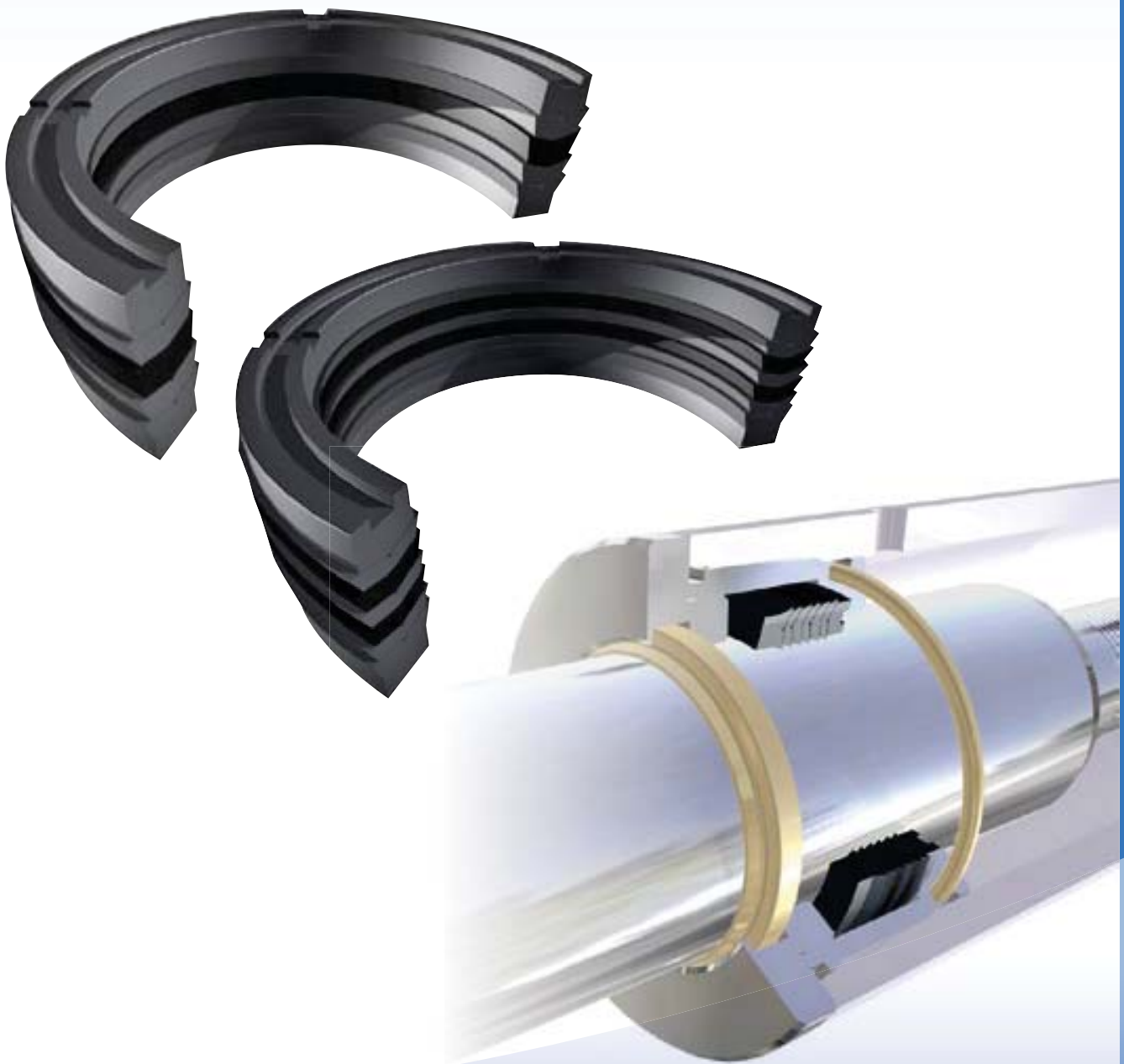
[www.prhseals.com](http://www.prhseals.com)



Guarnizioni per STELO  
ROD seals

# GT/5 • GT/7

30÷39



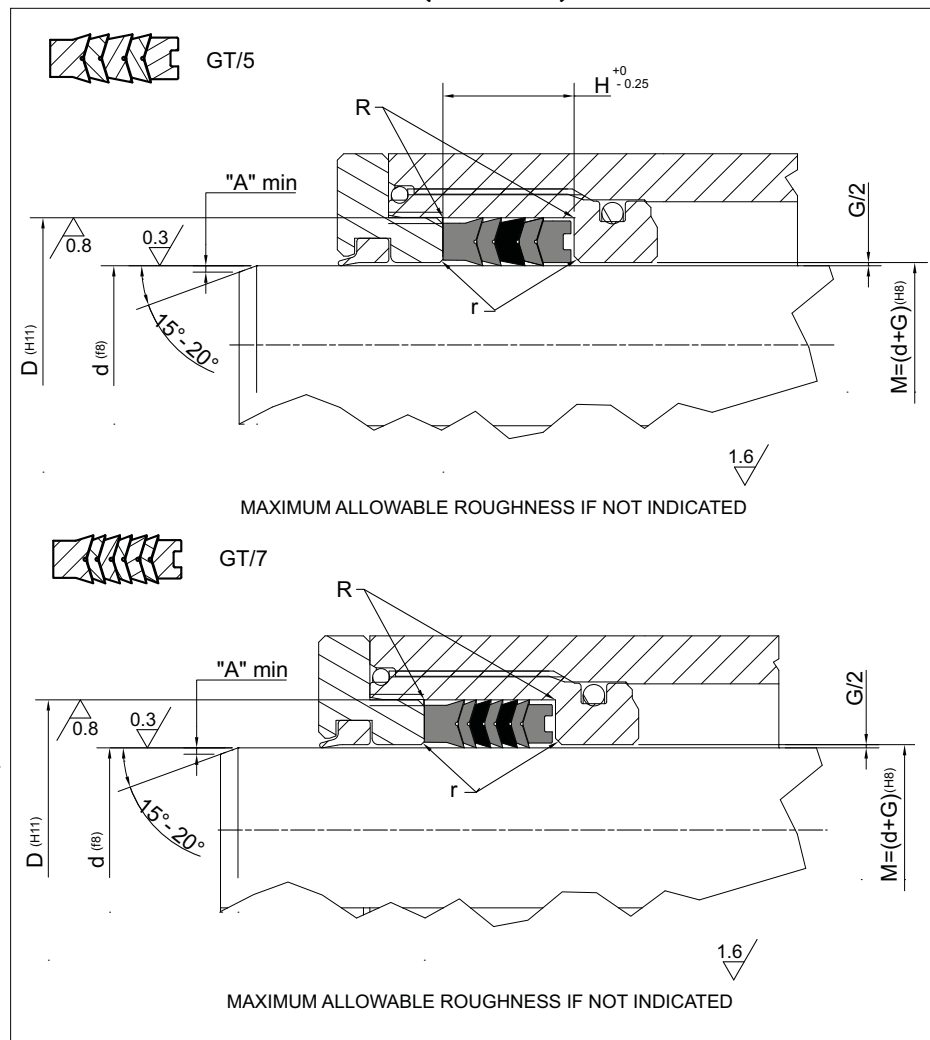
[www.prhseals.com](http://www.prhseals.com)

# PRH SEALS GROUP (INDIA)

**TECNOTEX**

Guarnizioni per STELO  
ROD seals

**GT/5**  
**GT/7**



### Rod Seal design guidelines

R	0mm < d ≤ 50mm	50mm < d ≥ 150mm
	max 0.40 mm	max 0.80 mm
r	remove sharp edges	
A	1 mm	2 mm

### Operating pressure to determinate Maximum Gap Allowance: G/2

G	Profile Dimension	> 16 MPa	> 26 MPa	> 32 MPa	> 40 MPa
	≤ 5	> 5.0 - 7.5	0.50 mm	0.40 mm	0.35 mm
> 7.5 - 12.5		0.55 mm	0.45 mm	0.40 mm	0.35 mm
15		0.60 mm	0.50 mm	0.45 mm	0.40 mm

PART NR GT5	PART NR GT7		DIMENSIONI SEDI / Housing dimensions		
			D	d	H
	<b>7001</b>	<b>070031</b>	18,00	8,00	18,50
<b>5003</b>		<b>078039</b>	20,00	10,00	11,00
	<b>7002</b>	<b>078039</b>	20,00	10,00	18,50
	<b>7003</b>	<b>086047</b>	22,00	12,00	18,50
	<b>7004</b>	<b>094055</b>	24,00	14,00	18,50
<b>5004</b>		<b>098047</b>	25,00	12,00	14,35
	<b>7005</b>	<b>098059</b>	25,00	14,00	18,50
	<b>7006</b>	<b>102062</b>	26,00	16,00	18,50
	<b>7007</b>	<b>110070</b>	28,00	18,00	18,50
<b>5006</b>		<b>114062</b>	29,00	16,00	14,35
	<b>7008</b>	<b>118078</b>	30,00	20,00	18,50
<b>5007</b>		<b>118078</b>	30,00	20,00	21,50

**www.prhseals.com**

# PRH SEALS GROUP (INDIA)

**TECNOTEX**

Guarnizioni per STELO  
ROD seals

**GT/5**  
**GT/7**

PART NR GT5	PART NR GT7		DIMENSIONI SEDI / Housing dimensions		
			D	d	H
5008		122070	31,00	18,00	14,32
5009		124078	31,50	20,00	17,50
5009/2		125070	32,00	18,00	22,50
5009/1		125078	32,00	20,00	17,50
	7009	125078	32,00	20,00	22,50
5010		125086	32,00	22,00	18,15
	7010	125086	32,00	22,00	18,50
5011		129078	33,00	20,00	14,35
	7011	133086	34,00	22,00	22,50
5012		137098	35,00	25,00	17,30
5013		141078	36,00	20,00	24,00
	7012	145098	37,00	25,00	22,50
5014		149086/Al	38,00	22,00	26,00
5015		157098	40,00	25,00	19,85
5016		157118	40,00	30,00	21,80
	7013	157098	40,00	25,00	22,50
5016/1		157110	40,00	28,00	17,00
	7014	157110	40,00	28,00	22,50
	7015	165118	42,00	30,00	22,50
5017		165098	42,00	25,00	25,40
5017/1		165118	42,00	30,00	20,00
5018		165125	42,00	32,00	17,30
	7016	169110	43,00	28,00	22,50
5019		173110	44,00	28,00	17,65
	7017	173125	44,00	32,00	22,50
5019/1		177098	45,00	25,00	25,40
5020		177137	45,00	35,00	21,78
5020/1		177118	45,00	30,00	22,20
	7018	177118	45,00	30,00	22,50
5021		177102	45,00	26,00	29,40
5022		184137	47,00	35,00	17,50
	7019	184125	47,00	32,00	22,50
	7020	184137	47,00	35,00	22,50
	7021	188141	48,00	36,00	22,50
5023		196157	50,00	40,00	17,30
5024		196137	50,00	35,00	22,50
5025		196118	50,00	30,00	29,37
5025/1		200137	50,80	34,92	24,21
	7022	200141	51,00	36,00	22,50
5026		204141	52,00	36,00	17,60
	7023	204157	52,00	40,00	22,50
	7024	212165	54,00	42,00	22,50
5027		216177	55,00	45,00	17,50
	7025	216157	55,00	40,00	22,50
5028		216157	55,00	40,00	22,60
5029		216153	55,00	39,00	25,40
5030		216157	55,00	40,00	26,20
5031		216149	55,00	38,00	28,00
5032		220157	56,00	40,00	17,63
	7026	224165	57,00	42,00	22,50
5033		236157	60,00	40,00	30,00
	7027	236177	60,00	45,00	22,50



www.prhseals.com



**PRH SEALS GROUP (INDIA)**

PART NR GT5	PART NR GT7		DIMENSIONI SEDI / Housing dimensions		
			D	d	H
5034		236177	60,00	45,00	22,20
5035		236188	60,00	48,00	25,00
5035/1		240177	61,00	45,00	29,00
5036		244188	62,00	48,00	22,22
5037		255196	65,00	50,00	24,60
	7028	255196	65,00	50,00	22,50
	7028/1	255196	65,00	50,00	29,00
	7029	255177	65,00	45,00	27,50
5039		255177	65,00	45,00	28,00
5040		255157	65,00	40,00	35,75
5040/1		255196	65,00	50,00	24,60
5041		263216	67,00	55,00	25,00
5042		271200	69,00	51,00	28,00
5043		275196/B	70,00	50,00	21,95
5044		275216	70,00	55,00	26,50
	7030	275216	70,00	55,00	22,50
5045		275196	70,00	50,00	30,00
	7031	275196	70,00	50,00	30,00
	7032	279220	71,00	56,00	22,50
5045/1		283204	72,00	52,00	38,50
	7033	295216	75,00	55,00	30,00
5046		295216	75,00	55,00	38,50
5046/1		295236	75,00	60,00	19,00
	7034	295236	75,00	60,00	22,50
5047		299220	76,00	56,00	21,94
5047/1		299200	76,00	51,00	17,50
	7035	299220	76,00	56,00	37,00
5048		299236	76,00	60,00	29,00
	7035/1	303255	77,00	65,00	22,50
5049		303255	77,00	65,00	21,00
5050		303236	77,00	60,00	27,00
	7036	307248	78,00	63,00	22,50
	7036/1	314255/Al	80,00	65,00	29,00
	7037	314255	80,00	65,00	22,50
5050/1		314255/Al	80,00	65,00	26,00
5051		314251	80,00	64,00	25,80
5051/1		314236/Al	80,00	60,00	22,00
5052		314251	80,00	63,50	28,00
5053		314236	80,00	60,00	32,15
5053/1		314236	80,00	60,00	32,15
5053/2		326248	83,00	63,00	21,94
	7037/1	314236	80,00	60,00	37,00
	7038	326248	83,00	63,00	37,00
5055		334248	85,00	63,00	32,00
5056		334255	85,00	65,00	29,00
5056/1		334255/Al	85,00	65,00	32,00
	7039	334255	85,00	65,00	41,00
	7040	334275	85,00	70,00	22,50
5057		334275	85,00	70,00	28,00
5059		354275/B	90,00	70,00	22,00
5060		354275	90,00	70,00	30,00
	7041	354275	90,00	70,00	41,00

# PRH SEALS GROUP (INDIA)

**TECNOTEX**

Guarnizioni per STELO  
ROD seals

**GT/5**  
**GT/7**

PART NR GT5	PART NR GT7		DIMENSIONI SEDI / Housing dimensions		
			D	d	H
	<b>7042</b>	354295	90,00	75,00	22,50
<b>5061</b>		354295	90,00	75,00	22,50
<b>5062</b>		374295	95,00	75,00	30,00
	<b>7043</b>	374295	95,00	75,00	41,00
<b>5063</b>		374314	95,00	80,00	17,50
	<b>7044</b>	374314	95,00	80,00	22,50
<b>5064</b>		393295	100,00	75,00	37,50
<b>5065</b>		393314	100,00	80,00	30,00
	<b>7045</b>	393314	100,00	80,00	41,00
	<b>7046</b>	393334	100,00	85,00	22,50
<b>5066</b>		413314	105,00	80,00	27,40
<b>5067</b>		413334	105,00	85,00	30,00
	<b>7047</b>	413334	105,00	85,00	41,00
	<b>7048</b>	413354	105,00	90,00	22,50
<b>5068</b>		413354	105,00	90,00	31,75
<b>5069</b>		433354/1	110,00	90,00	25,00
<b>5069/1</b>		433354/2	110,00	90,00	26,90
<b>5069/2</b>		433354/3	110,00	90,00	30,00
	<b>7049</b>	433354	110,00	90,00	41,00
<b>5070</b>		433374	110,00	95,00	24,00
	<b>7049/1</b>	433374	110,00	95,00	36,50
<b>5070/1</b>		452334	115,00	85,00	40,00
<b>5071</b>		452354	115,00	90,00	27,41
<b>5071/1</b>		452374	115,00	95,00	32,15
<b>5072</b>		452393	115,00	100,00	25,30
	<b>7050</b>	452393	115,00	100,00	30,00
<b>5072/1</b>		472354	120,00	90,00	42,00
<b>5073</b>		472393	120,00	100,00	28,00
	<b>7051</b>	472393	120,00	100,00	41,00
<b>5074</b>		472413	120,00	105,00	25,00
<b>5074/1</b>		492374	125,00	95,00	40,00
<b>5075</b>		492393/B	125,00	100,00	27,40
<b>5076</b>		492393	125,00	100,00	36,90
<b>5077</b>		492413	125,00	105,00	29,76
	<b>7052</b>	492433	125,00	110,00	30,00
<b>5078</b>		511409	130,00	104,00	37,00
<b>5078/1</b>		511433	130,00	110,00	30,00
	<b>7053</b>	511433	130,00	110,00	41,00
<b>5079</b>		511448	130,00	114,00	25,80
	<b>7054</b>	511452	130,00	115,00	30,00
<b>5080</b>		519433	132,00	110,00	36,50
<b>5080/1</b>		523492	133,00	125,00	17,50
<b>5080/2</b>		531433	135,00	110,00	41,50
	<b>7055</b>	551452	140,00	115,00	46,00
<b>5082</b>		551452	140,00	115,00	37,12
<b>5083</b>		551472	140,00	120,00	30,00
	<b>7056</b>	551492	140,00	125,00	34,00
<b>5083/2</b>		570472	145,00	120,00	39,50
<b>5083/1</b>		570492	145,00	125,00	29,60
<b>5083/3</b>		570511	145,00	130,00	30,00
<b>5084</b>		590472	150,00	120,00	44,00
<b>5085</b>		590492	150,00	125,00	27,40



[www.prhseals.com](http://www.prhseals.com)



**PRH SEALS GROUP (INDIA)**

PART NR GT5	PART NR GT7		DIMENSIONI SEDI / Housing dimensions		
			D	d	H
	<b>7057</b>	590492	150,00	125,00	46,00
<b>5086</b>		590511	150,00	130,00	29,76
<b>5086/1</b>		610492	155,00	125,00	41,00
<b>5086/2</b>		610511	155,00	130,00	40,00
<b>5087</b>		610531	155,00	135,00	30,55
	<b>7058</b>	610551	155,00	140,00	34,00
<b>5088</b>		629551	160,00	140,00	28,50
<b>5088/1</b>		629511	160,00	130,00	41,50
<b>5089</b>		649551	165,00	140,00	41,95
	<b>7059</b>	649551	165,00	140,00	46,00
<b>5090</b>		669551	170,00	140,00	39,00
<b>5091</b>		669570	170,00	145,00	38,10
<b>5092</b>		669590	170,00	150,00	30,55
	<b>7060</b>	669590	170,00	150,00	41,00
<b>5092/1</b>		681622	173,00	158,00	25,00
<b>5093</b>		681649	173,00	165,00	22,50
<b>5093/1</b>		688606	175,00	154,00	29,44
<b>5093/2</b>		688610	175,00	155,00	30,00
<b>5093/3</b>		688629	175,00	160,00	26,00
<b>5094</b>		708590	180,00	150,00	40,00
	<b>7061</b>	708590	180,00	150,00	60,00
<b>5094/4</b>		708599	180,00	152,30	45,00
<b>5094/2</b>		708614	180,00	156,00	60,00
<b>5094/1</b>		708629	180,00	160,00	30,00
	<b>7062</b>	708629	180,00	160,00	40,00
<b>5094/3</b>		708649	180,00	165,00	35,00
<b>5095</b>		716618	182,00	157,00	30,25
<b>5095/1</b>		728602	185,00	153,00	35,50
<b>5095/3</b>		728610	185,00	155,00	47,00
<b>5095/2</b>		728629	185,00	160,00	40,00
<b>5096</b>		748629	190,00	160,00	33,00
	<b>7063</b>	748629	190,00	160,00	60,00
<b>5096/1</b>		748649	190,00	165,00	34,00
<b>5096/2</b>		767649	195,00	165,00	40,46
<b>5097</b>		767669	195,00	170,00	37,50
	<b>7064</b>	787669	200,00	170,00	60,00
<b>5098</b>		787688	200,00	175,00	42,00
<b>5098/1</b>		787708	200,00	180,00	30,00
	<b>7065</b>	787708/1	200,00	180,00	41,00
<b>5098/2</b>		787737	200,00	187,13	21,74
<b>5098/3</b>		799759	203,00	193,00	23,00
<b>5098/4</b>		807728	205,00	185,00	28,00
<b>5099</b>		826708	210,00	180,00	33,00
	<b>7066</b>	826708	210,00	180,00	60,00
<b>5099/1</b>		826728	210,00	185,00	24,00
<b>5099/2</b>		846728	215,00	185,00	42,50
<b>5099/3</b>		846748	215,00	190,00	36,00
	<b>7067</b>	866748	220,00	190,00	60,00
	<b>7068</b>	866787	220,00	200,00	41,00
<b>5100</b>		866787	220,00	200,00	30,00
<b>5100/1</b>		885767	225,00	195,00	49,00
<b>5101</b>		885807	225,00	205,00	19,50

# PRH SEALS GROUP (INDIA)

**TECNOTEX**

Guarnizioni per STELO  
ROD seals

**GT/5**  
**GT/7**

PART NR GT5	PART NR GT7		DIMENSIONI SEDI / Housing dimensions		
			D	d	H
5102		905787	230,00	200,00	32,97
	7069	905787	230,00	200,00	60,00
5102/1		944787	240,00	200,00	60,00
5102/2		925800	234,95	203,20	57,20
5103		944826	240,00	210,00	42,10
5103/1		944866	240,00	220,00	30,00
5103/2		964846	245,00	215,00	45,00
	7070	984866	250,00	220,00	60,00
5103/3		984866	250,00	220,00	52,00
5104		1000881	254,00	224,00	32,97
5104/1		1000900	254,00	228,60	38,10
5104/2		1003846	255,00	215,00	50,00
5104/3		1003885	255,00	225,00	45,00
5104/4		1024866	260,00	220,00	60,00
5104/5		1024905	260,00	230,00	45,00
	7070/1	1024905	260,00	230,00	60,00
5104/6		1024944	260,00	240,00	45,00
5104/7		1062905	270,00	230,00	60,00
5105		1062944	270,00	240,00	45,00
	7071	1062944	270,00	240,00	64,00
	7071/1	1043925	265,00	235,00	65,00
5105/1		1062984	270,00	250,00	27,00
5105/2		1082964	275,00	245,00	46,00
5105/3		10821003	275,00	255,00	30,00
5105/4		1102944	280,00	240,00	60,00
5105/5		1102984/1	280,00	250,00	43,00
5106		1102984	280,00	250,00	33,00
	7071/2	1102984	280,00	250,00	60,00
5106/1		11021023	280,00	260,00	40,00
5106/2		11221003	285,00	255,00	44,00
5106/3		11221043	285,00	265,00	29,00
5106/4		1141984	290,00	250,00	60,00
5106/5		11411024	290,00	260,00	40,50
5106/6		11411043	290,00	265,00	37,50
5106/7		11611043	295,00	265,00	40,00
5106/8		11811024	300,00	260,00	54,00
5106/9		11811062	300,00	270,00	46,00
5106/10		12001082	305,00	275,00	46,00
5106/14		12121137	307,97	288,92	28,57
5106/11		12201062	310,00	270,00	60,00
5106/12		12201102	310,00	280,00	50,50
	7072	12201102/1	310,00	280,00	60,00
5107		12401102	315,00	280,00	38,45
5107/1		12401122	315,00	285,00	40,00
5107/2		12591102	320,00	280,00	57,00
5108		12591141	320,00	290,00	50,80
5108/1		12591181	320,00	300,00	32,00
5108/2		12791122	325,00	285,00	60,00
5108/3		12791161	325,00	295,00	46,00
5108/4		12991141	330,00	290,00	54,00
5108/5		12991181	330,00	300,00	44,00
5109		12991220	330,00	310,00	30,00



www.prhseals.com



**PRH SEALS GROUP (INDIA)**

PART NR GT5	PART NR GT7		DIMENSIONI SEDI / Housing dimensions		
			D	d	H
5109/1		13381181	340,00	300,00	54,00
5109/2		13381220	340,00	310,00	46,00
5109/3		13581240	345,00	315,00	52,00
5109/4		13771220	350,00	310,00	60,00
5109/5		13771232	350,00	313,00	46,00
5110		13771240	350,00	315,00	38,45
5110/1		13771248	350,00	317,00	46,00
5110/2		13771259	350,00	320,00	50,80
5110/3		13971240	355,00	315,00	50,00
5110/4		13971279	355,00	325,00	46,00
5110/5		14171259	360,00	320,00	54,00
5111		14371259	365,00	320,00	55,00
5111/1		14371279	365,00	325,00	56,00
5111/2		14561299	370,00	330,00	60,00
5111/3		14561338	370,00	340,00	46,00
5112		14961338	380,00	340,00	60,00
5112/1		14961377	380,00	350,00	46,00
5112/2		15001397	381,00	355,00	42,00
5113		15351377	390,00	350,00	60,00
5113/1		15311269	390,00	360,00	50,80
5113/A		15741417	400,00	360,00	60,00
5114		15741452	400,00	369,00	45,00
5114/1		15941476	405,00	375,00	46,00
5114/2		16531496	420,00	380,00	60,00
5114/3		16531511	420,00	384,00	51,00
5114/4		16531531	420,00	390,00	50,00
5114/5		16921531	430,00	390,00	60,00
5114/6		16921574	430,00	400,00	48,00
5114/7		17321496	440,00	380,00	85,00
5115		17321574	440,00	400,00	54,00
5115/1		17711574	450,00	400,00	75,00
5115/2		17711614	450,00	410,00	60,00
5116		17711637	450,00	416,00	50,00
5116/1		17711653	450,00	420,00	46,00
5116/2		18111653	460,00	420,00	52,00
5116/3		18111653/1	460,00	420,00	65,00
5116/4		18261692	464,00	430,00	49,00
5116/5		18301673	465,00	425,00	60,00
5116/6		18701751	475,00	445,00	46,00
5116/7		18891732	480,00	440,00	59,00
5116/8		19091755	485,00	446,00	50,00
5116/9		19291771	490,00	450,00	60,00
5116/10		19371811	492,00	460,00	50,00
5116/11		19681771	500,00	450,00	75,00
5116/12		19681822	500,00	460,00	60,00
5117		19681822	500,00	463,00	55,00
5117/1		19681850	500,00	470,00	46,00
5117/2		19801858	503,00	472,00	45,00
5117/3		20071811	510,00	460,00	75,00
5117/4		20071889	510,00	480,00	46,00
5117/5		20471889	520,00	480,00	60,00
5117/6		20861929	530,00	490,00	60,00





## PSE PSE/K

Guarnizioni per STELO  
ROD seals

**TECNOTEX**

[www.prhseals.com](http://www.prhseals.com)

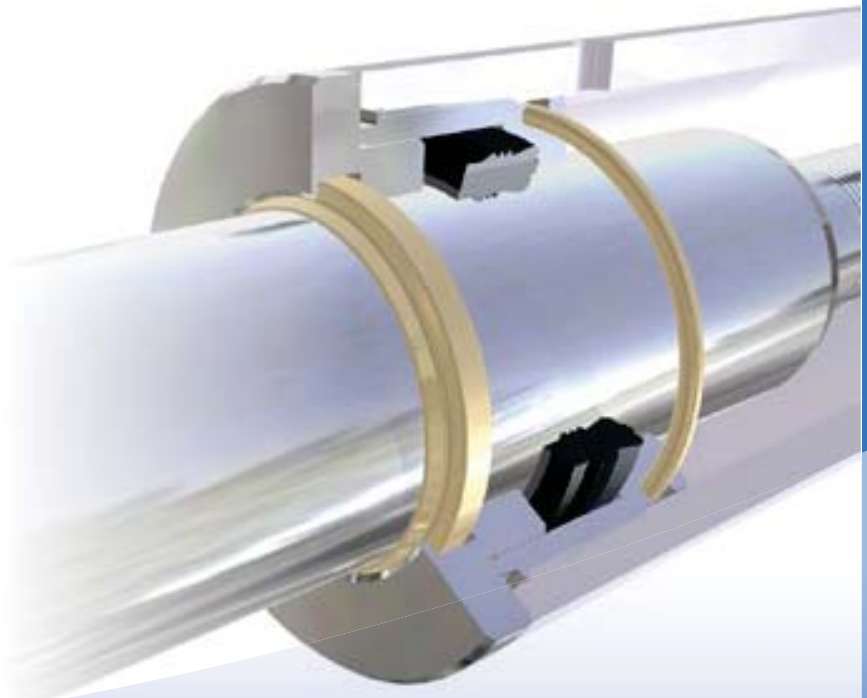
Versione standard		Standard version	
Elemento di tenuta	NBR	Sealing Ring	NBR
Base	Gommatela	Support Ring	NBR/Cotton Fabric
Rondella Al	POM	Anti-extrusion Ring	POM
Versioni Alternative		Alternative Versions	
Base	TPE	Support Ring	TPE
Base	Gommatela FKM	Support Ring	Cotton Fabric FKM
Elemento di Tenuta	NBR FKM	Sealing Ring	NBR FKM
Elemento di Tenuta	NBR Basse Temp.	Sealing Ring	NBR Low Temp.
Pressione fino a / Pressure up to			
70 MPa			
Velocità fino a / Speed up to			
0.5 m/s			
Temperatura / Temperature			
-30°C +110°C		-20°C +200°C FKM	-50°C +110°C TDS 108
Applicazioni		Applications	
Cilindri idraulici		Hydraulic cylinders	
Cilindri per miniere		Mining Cyinders	
Macchine movimento terra		Earth moving machinery	
Cilindri per piattaforme aeree		Hydraulic scissor lifts Lift platforms	



Guarnizioni per STELO  
ROD seals

## PSE • PSE/K

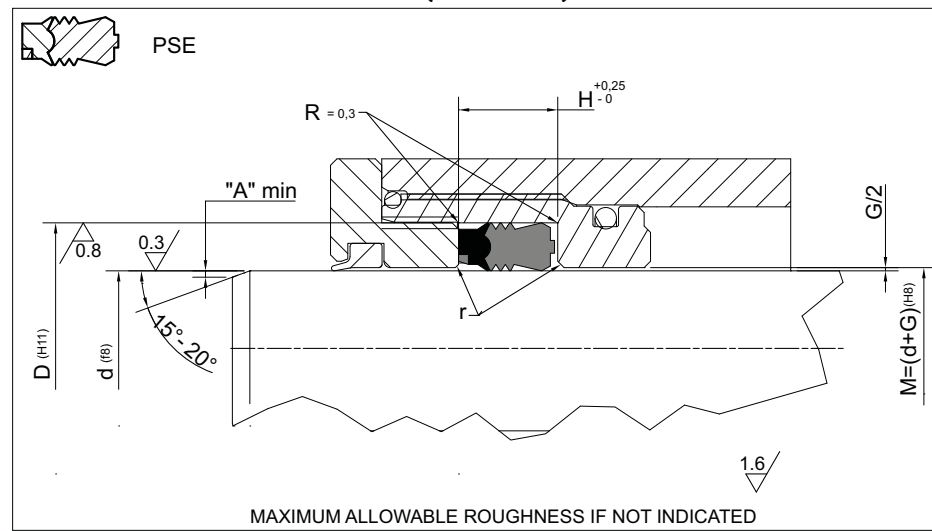
40÷45



[www.prhseals.com](http://www.prhseals.com)



**PRH SEALS GROUP (INDIA)**



**Rod Seal design guidelines**

	0mm < d ≤ 50mm	50mm < d ≤ 100mm	100mm < d ≤ 150mm	d ≥ 150mm
r	remove sharp edges			
A	1 mm	2 mm	3 mm	3 mm < A ≤ 5 mm

**Operating pressure to determinate Maximum Gap Allowance: G/2**

G	Profile Dimension	> 16 MPa	> 26 MPa	> 32 MPa	> 40 MPa
	≤ 5		0.50 mm	0.40 mm	0.35 mm
> 5.0 – 7.5		0.55 mm	0.45 mm	0.40 mm	0.35 mm
> 7.5 – 12.5		0.60 mm	0.50 mm	0.45 mm	0.40 mm
15		0.65 mm	0.55 mm	0.45 mm	0.40 mm

PART NR		DIMENSIONI SEDI / Housing dimensions		
		d	D	H
PSE 701	106059/1	15,00	27,00	20,00
PSE 702	129078/1	20,00	33,00	20,00
PSE 703	137086/1	22,00	35,00	20,00
PSE 704	149098/1	25,00	38,00	20,00
PSE 705	161110/1	28,00	41,00	20,00
PSE 706	169118/1	30,00	43,00	20,00
PSE 707	185125/1	32,00	47,00	22,50
PSE 708	177137/1	35,00	45,00	25,59
PSE 709	185137/1	35,00	47,00	22,50
PSE 710	196137/1	35,00	50,00	22,50
PSE 711	196157/1	40,00	50,00	17,50
PSE 712	200141/1	36,00	51,00	22,50
PSE 713	204157/1	40,00	52,00	22,50
PSE 714	216157/1	40,00	55,00	22,62
PSE 715	236157/1	40,00	60,00	30,00
PSE 716	236177/1	45,00	60,00	22,50
PSE 717	255177/1	45,00	65,00	28,00
PSE 718	248196/1	50,00	63,00	20,00
PSE 719	255196/1A	50,00	65,00	24,50
PSE 720	255196/1C	50,00	65,00	22,50
PSE 721	275196/1B	50,00	70,00	30,00
PSE 722	275196/1A	50,00	70,00	31,90
PSE 723	275216/1	55,00	70,00	25,00
PSE 724	275216/2	55,00	70,00	22,50
PSE 725	295216/1	55,00	75,00	32,00
PSE 726	295216/2	55,00	75,00	30,00
PSE 726/1	279220	56,00	71,00	22,50

# PRH SEALS GROUP (INDIA)

PART NR		DIMENSIONI SEDI / Housing dimensions		
		d	D	H
PSE 727	279220/1	56,00	71,00	25,00
PSE 728	299220/1	56,00	76,00	28,00
PSE 729	295236/1	60,00	75,00	25,00
PSE 730	295236/2	60,00	75,00	22,50
PSE 731	303236/1	60,00	77,00	27,00
PSE 731/1	314236/1E	60,00	80,00	27,00
PSE 731/2	314236/1	60,00	80,00	30,00
PSE 732	314236/1A	60,00	80,00	34,90
PSE 733	314236/1B	60,00	80,00	32,00
PSE 734	326248	63,00	83,00	30,00
PSE 735	326248/1A	63,00	83,00	29,00
PSE 736	326248/1E	63,00	83,00	27,00
PSE 737	334255/1	65,00	85,00	29,00
PSE 738	334275/1	70,00	85,00	22,50
PSE 739	334275/1B	70,00	85,00	25,00
PSE 739/1	354275/1	70,00	90,00	30,00
PSE 740	354275/2	70,00	90,00	31,90
PSE 741	374295/2A	75,00	95,00	28,00
PSE 742	374295/2C	75,00	95,00	30,00
PSE 743	379301/1	76,50	96,50	32,50
PSE 744	393314/1	80,00	100,00	30,00
PSE 744/1	413334	85,00	105,00	22,00
PSE 745	413334/1	85,00	105,00	30,00
PSE 745/1	413354	90,00	105,00	22,50
PSE 746	413354/1A	90,00	105,00	25,00
PSE 747	413354/1B	90,00	105,00	33,53
PSE 748	433354/1A	90,00	110,00	30,00
PSE 749	433354/2B	90,00	110,00	32,50
PSE 750	452374/1	95,00	115,00	28,00
PSE 751	450393/1	100,00	114,30	24,21
PSE 752	472393/1	100,00	120,00	30,00
PSE 753	464413/1	105,00	118,00	25,00
PSE 754	472413/1	105,00	120,00	34,00
PSE 755	492413/1	105,00	125,00	30,00
PSE 756	511433/1	110,00	130,00	32,50
PSE 756/1	519433/1	110,00	132,00	36,50
PSE 757	511452/1	115,00	130,00	30,00
PSE 758	551472/1	120,00	140,00	30,00
PSE 759	570492/1	125,00	145,00	29,62
PSE 760	590511/1	130,00	150,00	28,00
PSE 761	610531/1	135,00	155,00	28,00
PSE 761/1	629551	140,00	160,00	19,00
PSE 762	629551/1	140,00	160,00	28,00
PSE 763	629551/2	140,00	160,00	30,00
PSE 764	669590/1	150,00	170,00	28,00
PSE 765	688610/1	155,00	175,00	28,00
PSE 766	708629/1	160,00	180,00	28,00
PSE 767	729649/1	165,00	185,00	30,00
PSE 768	767669/1	170,00	195,00	35,00
PSE 768/1	787688/1	175,00	200,00	35,00
PSE 769	807708/1	180,00	205,00	35,00
PSE 770	826728/1	185,00	210,00	35,00

**TECNOTEX**

Guarnizioni per STELO  
ROD seals

**PSE**

www.prhseals.com





**PRH SEALS GROUP (INDIA)**

PART NR		DIMENSIONI SEDI / Housing dimensions		
		d	D	H
PSE 771	846748/1	190,00	215,00	35,00
PSE 771/1	866767/1	195,00	220,00	35,00
PSE 772	885787/1	200,00	225,00	35,00
PSE 772/1	925728	210,00	235,00	30,00
PSE 773	944846/1	215,00	240,00	35,00
PSE 774	964866/1	220,00	245,00	35,00
PSE 775	984886/1	225,00	250,00	35,00
PSE 776	1003905/1	230,00	255,00	35,00
PSE 777	1043945/1	240,00	265,00	35,00
PSE 778	1082984/1	250,00	275,00	35,00
PSE 778/1	11021024	260,00	280,00	30,00
PSE 779	11411043/1	265,00	290,00	35,00
PSE 780	11811082/1	275,00	300,00	35,00
PSE 781	12011102/1	280,00	305,00	35,00
PSE 782	12791181/1	300,00	325,00	35,00
PSE 783	14171318/1	335,00	360,00	35,00

PART NR		DIMENSIONI SEDI / Housing dimensions		
		d	D	H
PSE-K 901	118071	18,00	30,00	22,50
PSE-K 902	146093	25,00	37,00	22,50
PSE-K 903	334275	70,00	85,00	22,50
PSE-K 904	366307	78,00	93,00	19,00
PSE-K 905	374314	80,00	95,00	22,50
PSE-K 906	386326	83,00	98,00	22,50
PSE-K 907	393334	85,00	100,00	22,50
PSE-K 908	393346	88,00	100,00	20,00
PSE-K 908/1	413354	90,00	105,00	22,50
PSE-K 909	433374	95,00	110,00	22,50
PSE-K 909/1	452393	100,00	115,00	22,50
PSE-K 910	492433	110,00	125,00	22,50
PSE-K 911	511452	115,00	130,00	22,50
PSE-K 912	523464	118,00	133,00	22,50
PSE-K 912/1	543464	118,00	138,00	22,50
PSE-K 913	531472	120,00	135,00	22,50
PSE-K 914	539480	122,00	137,00	22,50
PSE-K 915	551492	125,00	140,00	22,50
PSE-K 915/1	554500	127,00	142,00	22,50
PSE-K 916	567519	132,00	144,00	20,00
PSE-K 917	590531	135,00	150,00	22,50
PSE-K 918	610551	140,00	155,00	22,50
PSE-K 919	529551	140,00	160,00	22,50
PSE-K 919/1	629570	145,00	160,00	28,50
PSE-K 920	649570	145,00	165,00	22,50
PSE-K 921	649590	150,00	165,00	22,50
PSE-K 922	657593	152,00	167,00	22,50
PSE-K 923	688610	155,00	175,00	22,50
PSE-K 924	708624	158,50	180,00	28,00
PSE-K 925	728669	170,00	185,00	22,50
PSE-K 926	756677	172,00	192,00	22,50
PSE-K 927	767688	175,00	195,00	22,50
PSE-K 928	767688/1	175,00	195,00	30,00





**TTS  
TTS/L  
TTS/L-AI**

**Guarnizioni per STELO  
ROD seals**

**TECNOLAN**

<b>Versione standard</b>			<b>Standard version</b>		
TTS	TTS/L	Poliuretano	TTS	TTS/L	Polyurethane
TTS/AI	TTS/L AI	Poliuretano +POM	TTS/AI	TTS/L AI	Polyurethane+POM
<b>Versioni Alternative</b>			<b>Alternative Versions</b>		
Poliuretano Basse Temperature			Low Temperature Polyurethane		
<b>Pressione fino a / Pressure up to</b>					
40 MPa					
<b>Velocità fino a / Speed up to</b>					
0.5 m/s					
<b>Temperatura / Temperature</b>					
-35°C +100°C			-45°C +110°C PN 522		
<b>Applicazioni</b>			<b>Applications</b>		
Cilindri Idraulici			Hydraulic Cylinders		
Cilindri Telescopici			Telescopic Cylinders		
Cilindri per Gru			Truck crane Cylinders		
Sponde Idrauliche			Tail Lifts		
Cilindri per Agricoltura			Agricultural Cylinders		
Presse ad iniezione			Injection moulding machines		

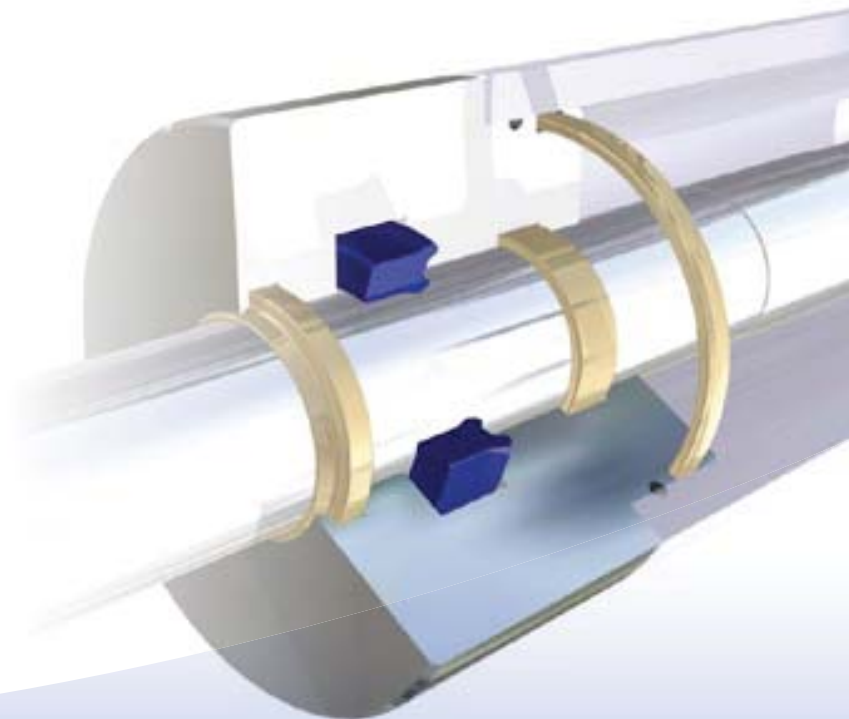
**www.prhseals.com**



Guarnizioni per STELO  
ROD seals

# TTS • TTS/L • TTS/L-AI

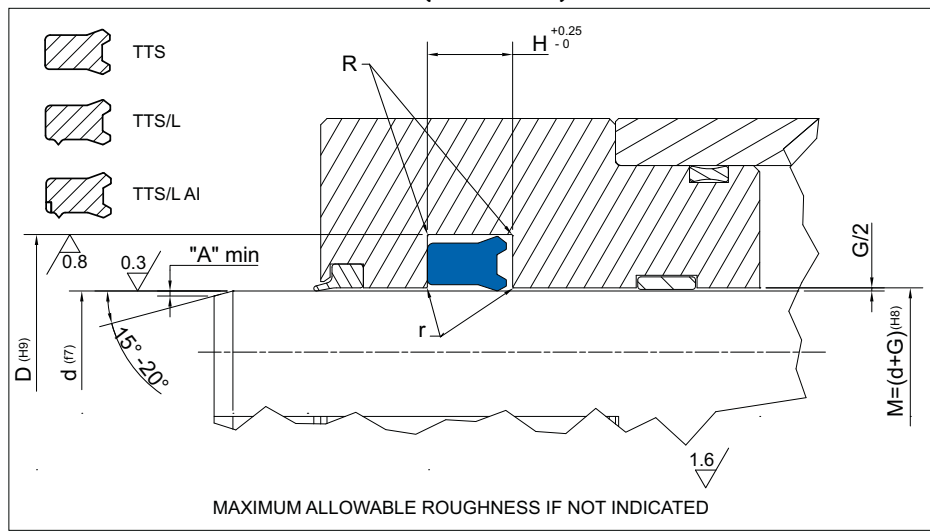
46÷58



[www.prhseals.com](http://www.prhseals.com)



**PRH SEALS GROUP (INDIA)**



**Rod Seal design guidelines**

	0mm < d ≤ 50mm	50mm < d ≤ 100mm	100mm < d ≤ 150mm	d ≥ 150mm
r	remove sharp edges			
A	1 mm	2 mm	3 mm	3 mm < A ≤ 5 mm

**Operating pressure to determinate Maximum Gap Allowance: G/2**

G	Profile Dimension	> 16 MPa	> 26 MPa	> 32 MPa	> 40 MPa
	≤ 5	> 5.0 - 7.5	0.50 mm	0.40 mm	0.35 mm
	> 7.5 - 12.5	0.55 mm	0.45 mm	0.40 mm	0.35 mm
	15	0.60 mm	0.50 mm	0.45 mm	0.40 mm
		0.65 mm	0.55 mm	0.45 mm	0.40 mm

PART NR		DIMENSIONI SEDI / Housing dimensions		
		d	D	H
TTS 501	6-14-5,8/L	6,00	14,00	6,30
TTS 502	6,35-14,3-6/L	6,35	14,30	7,00
TTS 502/3	7-14-7,2	7,00	14,00	8,00
TTS 502/4	7-14-6,2	7,00	14,00	7,00
TTS 502/1	8-14-5,5/L	8,00	14,00	6,00
TTS 502/2	8-15-5,8/L	8,00	15,00	6,30
TTS 503	8-16-5,8/L	8,00	16,00	6,30
TTS 503/1	10-15-3	10,00	15,00	3,60
TTS 504	10-16-4,8/L	10,00	16,00	5,40
TTS 505	10-18-5,8/L	10,00	18,00	6,30
TTS 506	12-18-4,5	12,00	18,00	5,00
TTS 507	12-19-5,7/L	12,00	19,00	6,30
TTS 508	12-20-5,8	12,00	20,00	6,30
TTS 509	12-20-5,8/L	12,00	20,00	6,30
TTS 510	12-23-6,5/L	12,00	23,00	7,50
TTS 510/1	13-24-6/L	13,00	24,00	7,00
TTS 510/2	14-20-3	14,00	20,00	3,60
TTS 511	14-20-4,8/L	14,00	20,00	5,30
TTS 512	14-22-5,8/L	14,00	22,00	6,30
TTS 512/1	14-23-5,6/L	14,00	23,00	6,00
TTS 512/2	14-23-5,8/L	14,00	23,00	6,30
TTS 512/3	14,5-20-3,5	14,50	20,00	4,00
TTS 512/4	15-20-3,2	15,00	20,00	3,80
TTS 513	15-21,5-4,2	15,00	21,50	5,00
TTS 514	15,4-25,5-6,5/L	15,40	25,50	7,40
TTS 515	16-22-4	16,00	22,00	4,50
TTS 515/1	16-23-5,8/L	16,00	23,00	6,30

# PRH SEALS GROUP (INDIA)

PART NR		DIMENSIONI SEDI / Housing dimensions		
		d	D	H
TTS 515/2	16-23-5,6/L	16,00	23,00	6,00
TTS 516	16-24-5,8/L	16,00	24,00	6,30
TTS 516/1	16-24-5,8	16,00	24,00	6,30
TTS 517	16-24-6	16,00	24,00	7,00
TTS 518	18-25-5	18,00	25,00	5,70
TTS 519	18-26-5,8/L	18,00	26,00	6,30
TTS 520	18-26-6	18,00	26,00	7,00
TTS 521	18-26-6/L	18,00	26,00	7,00
TTS 522	18-26-8/L	18,00	26,00	9,00
TTS 523	18-28-5,8	18,00	28,00	6,30
TTS 524	18-28-5,8/L	18,00	28,00	6,30
TTS 525	18-28-7	18,00	28,00	8,00
TTS 526	19,5-27,5-8/L	19,50	27,50	9,00
TTS 526/1	20-25-2,2	20,00	25,00	3,00
TTS 527	20-25-3	20,00	25,00	3,50
TTS 528	20-25-3,7	20,00	25,00	4,50
TTS 529	20-26-5/L	20,00	26,00	5,50
TTS 530	20-26-5,2	20,00	26,00	6,00
TTS 531	20-26-5,2/L	20,00	26,00	6,00
TTS 532	20-27-5,8	20,00	27,00	6,30
TTS 533	20-28-5,8	20,00	28,00	6,30
TTS 534	20-28-5,8/L	20,00	28,00	6,30
TTS 535	20-28-6,3/L	20,00	28,00	7,00
TTS 536	20-28-7/L	20,00	28,00	8,00
TTS 537	20-30-7,2	20,00	30,00	8,00
TTS 538	20-30-7/L	20,00	30,00	8,00
TTS 539	20-30-8/L	20,00	30,00	9,00
TTS 540	20-30-10	20,00	30,00	11,00
TTS 541	21-27-4,5	21,00	27,00	5,00
TTS 542	22-28-4,5	22,00	28,00	5,50
TTS 543	22-30-5,8/L	22,00	30,00	6,30
TTS 544	22-30-6	22,00	30,00	7,00
TTS 545	22-30-6,3/L	22,00	30,00	7,00
TTS 546	22-30-7	22,00	30,00	8,00
TTS 546/1	22-30-7/L	22,00	30,00	8,00
TTS 546/2	22-30-8	22,00	30,00	9,00
TTS 547	22-32-7	22,00	32,00	8,00
TTS 548	22-32-8	22,00	32,00	9,00
TTS 549	24-30-4,5	24,00	30,00	5,00
TTS 549/1	24-32-5,8	24,00	32,00	6,30
TTS 550	24-34-5,7	24,00	34,00	6,50
TTS 551	25-31-3	25,00	31,00	3,50
TTS 551/1	25-31-4,5	25,00	31,00	5,00
TTS 552	25-32-4	25,00	32,00	5,00
TTS 553	25-32-5,8	25,00	32,00	6,50
TTS 554	25-33-5,8	25,00	33,00	6,30
TTS 555	25-33-5,8/L	25,00	33,00	6,30
TTS 556	25-33-6,5/L	25,00	33,00	7,50
TTS 557	25-33-7/L	25,00	33,00	8,00
TTS 558	25-33-8	25,00	33,00	9,00
TTS 558/1	25-33-8/L	25,00	33,00	9,00
TTS 559	25-35-5	25,00	35,00	6,00

**TECNOLAN**

Guarnizioni per STELO  
ROD seals

**TTS**  
**TTS/L**  
**TTS/L-AI**

[www.prhseals.com](http://www.prhseals.com)





**PRH SEALS GROUP (INDIA)**

PART NR		DIMENSIONI SEDI / Housing dimensions		
		d	D	H
TTS 560	25-35-5,8/L	25,00	35,00	6,30
TTS 561	25-35-7	25,00	35,00	8,00
TTS 562	25-35-7/L	25,00	35,00	8,00
TTS 563	25-35-8	25,00	35,00	9,00
TTS 564	25-35-8/L	25,00	35,00	9,00
TTS 565	25-35-9	25,00	35,00	10,00
TTS 566	25-35-10	25,00	35,00	11,00
TTS 566/1	25-35-10/L	25,00	35,00	11,00
TTS 567	25-36-5	25,00	36,00	6,00
TTS 568	25-36-5/AI	25,00	36,00	6,00
TTS 569	25-38-10	25,00	38,00	11,00
TTS 569/1	27-35-6	27,00	35,00	6,50
TTS 570	28-34,2-5,2/L	28,00	34,20	6,00
TTS 571	28-36-5,8	28,00	36,00	6,30
TTS 572	28-36-5,8/L	28,00	36,00	6,30
TTS 573	28-36-8	28,00	36,00	9,00
TTS 574	28-38-5,8/L	28,00	38,00	6,30
TTS 575	28-38-7	28,00	38,00	8,00
TTS 576	28-38-7/L	28,00	38,00	8,00
TTS 576/1	28,5-36,5-8	28,50	36,50	9,00
TTS 577	30-36-3	30,00	36,00	3,50
TTS 578	30-38-5,8	30,00	38,00	6,30
TTS 579	30-38-5,8/L	30,00	38,00	6,30
TTS 580	30-38-5,8/AI	30,00	38,00	6,30
TTS 580/1	30-38-7/L	30,00	38,00	8,00
TTS 581	30-38-8	30,00	38,00	9,00
TTS 581/1	30-38-8/L	30,00	38,00	9,00
TTS 582	30-40-6,5/L	30,00	40,00	7,50
TTS 582/2	30-40-7	30,00	40,00	8,00
TTS 583	30-40-7/L	30,00	40,00	8,00
TTS 584	30-40-10	30,00	40,00	11,00
TTS 585	30-40-10-L	30,00	40,00	11,00
TTS 586	32-40-5,8	32,00	40,00	6,30
TTS 587	32-40-5,8/L	32,00	40,00	6,30
TTS 588	32-40-6,7/L	32,00	40,00	7,70
TTS 588/1	32-40-7/L	32,00	40,00	8,00
TTS 589	32-40-8	32,00	40,00	9,00
TTS 590	32-40-8/L	32,00	40,00	9,00
TTS 590/1	32-41,5-7,9/L	32,00	41,50	8,90
TTS 591	32-42-7/L	32,00	42,00	8,00
TTS 592	32-42-8/L	32,00	42,00	9,00
TTS 593	32-42-10/L	32,00	42,00	11,00
TTS 594	32-42,5-8/L	32,00	42,50	9,00
TTS 595	32-45-9,5/L-AI	32,00	45,00	10,50
TTS 595/1	32-45-10L	32,00	45,00	11,00
TTS 595/2	35-41-4,5	35,00	41,00	5,00
TTS 596	35-43-5,8/L	35,00	43,00	6,30
TTS 597	35-43-6	35,00	43,00	7,00
TTS 598	35-43-6/L	35,00	43,00	7,00
TTS 599	35-43-8/L	35,00	43,00	9,00
TTS 600	35-45-7/L	35,00	45,00	8,00
TTS 601	35-45-10/L	35,00	45,00	11,00

# PRH SEALS GROUP (INDIA)

PART NR		DIMENSIONI SEDI / Housing dimensions		
		d	D	H
TTS 602	35-45-12,5/L	35,00	45,00	13,50
TTS 603	35-50-10/L	35,00	50,00	11,00
TTS 604	36-44-5,8/L	36,00	44,00	6,30
TTS 605	36-44-6	36,00	44,00	7,00
TTS 606	36-44-8	36,00	44,00	9,00
TTS 607	36-46-7	36,00	46,00	8,00
TTS 607/1	36-46-7-AI	36,00	46,00	8,00
TTS 607/2	36-46-7/L	36,00	46,00	8,00
TTS 608	36-46-7/L-AI	36,00	46,00	8,00
TTS 609	36-46-10	36,00	46,00	11,00
TTS 610	36-57-5/AI	36,00	57,00	6,00
TTS 611	38-45-6	38,00	45,00	7,00
TTS 612	38-50-8,5/L	38,00	50,00	9,50
TTS 613	40-48-5,8	40,00	48,00	6,30
TTS 614	40-48-5,8/L	40,00	48,00	6,30
TTS 614/1	40-48-6/L	40,00	48,00	7,00
TTS 615	40-48-8	40,00	48,00	9,00
TTS 616	40-48-8/L	40,00	48,00	9,00
TTS 617	40-48-8/L-AI	40,00	48,00	9,00
TTS 618	40-49,5-9,5/L	40,00	49,50	10,50
TTS 619	40-50-6/L	40,00	50,00	7,00
TTS 620	40-50-7	40,00	50,00	8,00
TTS 621	40-50-7/L	40,00	50,00	8,00
TTS 622	40-50-10	40,00	50,00	11,00
TTS 623	40-50-10/L	40,00	50,00	11,00
TTS 624	40-50-10/L-AI	40,00	50,00	11,00
TTS 625	40-52-10/L-AI	40,00	52,00	11,00
TTS 626	40-52-17/L-AI	40,00	52,00	18,00
TTS 627	40-55-7,5/L-AI	40,00	55,00	8,50
TTS 628	40-55-10/L	40,00	55,00	11,00
TTS 629	40-55-10/L-AI	40,00	55,00	11,00
TTS 630	40-60-10/L	40,00	60,00	11,00
TTS 631	42-50-6/L	42,00	50,00	7,00
TTS 632	42-52-8/L	42,00	52,00	9,00
TTS 633	42-53-9	42,00	53,00	10,00
TTS 633/1	45-52-12/L	45,00	52,00	13,00
TTS 633/2	45-51-4,5	45,00	51,00	5,00
TTS 634	45-53-5,8/L	45,00	53,00	6,30
TTS 635	45-53-6	45,00	53,00	7,00
TTS 635/1	45-53-7/L	45,00	53,00	8,00
TTS 636	45-53-8	45,00	53,00	9,00
TTS 637	45-53-8/L	45,00	53,00	9,00
TTS 638	45-53-10	45,00	53,00	11,00
TTS 638/1	45-53-12	45,00	53,00	13,00
TTS 639	45-53-12/L	45,00	53,00	13,00
TTS 639/1	45-54,3-8/L	45,00	54,30	8,70
TTS 639/2	45-55-5,7/L	45,00	55,00	6,50
TTS 640	45-55-7	45,00	55,00	8,00
TTS 641	45-55-7/L	45,00	55,00	8,00
TTS 642	45-55-10	45,00	55,00	11,00
TTS 643	45-55-10/L	45,00	55,00	11,00
TTS 644	45-55-10/L-AI	45,00	55,00	11,00

**TECNOLAN**

Guarnizioni per STELO  
ROD seals

**TTS**  
**TTS/L**  
**TTS/L-AI**

[www.prhseals.com](http://www.prhseals.com)





**PRH SEALS GROUP (INDIA)**

PART NR		DIMENSIONI SEDI / Housing dimensions		
		d	D	H
TTS 645	45-57,7-9,5/L	45,00	57,70	10,50
TTS 646	45-60-10/L	45,00	60,00	11,00
TTS 647	46-54-8	46,00	54,00	9,00
TTS 648	46-54-8/L	46,00	54,00	9,00
TTS 649	48-60-6/L	48,00	60,00	7,00
TTS 650	49,5-65,3-10/L	49,50	65,30	11,00
TTS 651	50-58-8/L	50,00	58,00	9,00
TTS 651/1	50-58-8	50,00	58,00	9,00
TTS 652	50-60-7	50,00	60,00	8,00
TTS 653	50-60-7/L	50,00	60,00	8,00
TTS 653/1	50-60-7/L-AI	50,00	60,00	8,00
TTS 654	50-60-9/L	50,00	60,00	10,00
TTS 655	50-60-10	50,00	60,00	11,00
TTS 656	50-60-10/L	50,00	60,00	11,00
TTS 657	50-60-10/L-AI	50,00	60,00	11,00
TTS 658	50-62-8	50,00	62,00	9,00
TTS 659	50-62-8,6/L-AI	50,00	62,00	9,60
TTS 660	50-62-10	50,00	62,00	11,00
TTS 661	50-62,7-9,5/L	50,00	62,70	10,50
TTS 662	50-65-10	50,00	65,00	11,00
TTS 663	50-65-10/L	50,00	65,00	11,00
TTS 664	50-65-10/L-AI	50,00	65,00	11,00
TTS 664/1	50-65-15/AI	50,00	65,00	16,00
TTS 665	50-70-12/L-AI	50,00	70,00	13,00
TTS 666	50-70-13,5/L	50,00	70,00	14,50
TTS 667	55-63-8	55,00	63,00	9,00
TTS 667/1	55-63-8/L	55,00	63,00	9,00
TTS 668	55-65-7,2	55,00	65,00	8,00
TTS 668/1	55-65-7,2/L	55,00	65,00	8,00
TTS 669	55-65-10	55,00	65,00	11,00
TTS 670	55-65-10/L	55,00	65,00	11,00
TTS 671	55-65-10/AI	55,00	65,00	11,00
TTS 672	55-65-12	55,00	65,00	13,00
TTS 673	55-65-12/L	55,00	65,00	13,00
TTS 674	56-66-10	56,00	66,00	11,00
TTS 675	56-71-11,5/L	56,00	71,00	12,50
TTS 675/2	56-71-11,5/L-AI	56,00	71,00	12,50
TTS 675/1	56-71-9,5/L	56,00	71,00	10,50
TTS 676	56-71-9,5/L-AI	56,00	71,00	10,50
TTS 677	57,1-66,7-9,5/L	57,10	66,70	10,50
TTS 678	57,1-69,8-9,5/L	57,10	69,80	10,50
TTS 678/1	60-68-7/L	60,00	68,00	8,00
TTS 678/2	58-64-4,5	58,00	64,00	5,00
TTS 679	60-68-8	60,00	68,00	9,00
TTS 680	60-68-8/L	60,00	68,00	9,00
TTS 681	60-68-13/L	60,00	68,00	14,00
TTS 681/1	60-69,3-8/L	60,00	69,30	8,70
TTS 682	60-70-7,2	60,00	70,00	8,00
TTS 682/2	60-70-7,2/L	60,00	70,00	8,00
TTS 682/1	60-70-10	60,00	70,00	11,00
TTS 683	60-70-10/L	60,00	70,00	11,00
TTS 684	60-70-11,5/L	60,00	70,00	12,50

# PRH SEALS GROUP (INDIA)

PART NR		DIMENSIONI SEDI / Housing dimensions		
		d	D	H
TTS 685	60-70-12/L	60,00	70,00	13,00
TTS 686	60-70-12	60,00	70,00	13,00
TTS 686/1	60-70-12/AI	60,00	70,00	13,00
TTS 687	60-70-12/L-AI	60,00	70,00	13,00
TTS 688	60-71-8/L	60,00	71,00	9,00
TTS 689	60-72-9	60,00	72,00	10,00
TTS 690	60-72-9/L	60,00	72,00	10,00
TTS 691	60-75-10/L	60,00	75,00	11,00
TTS 692	60-75-12/L-AI	60,00	75,00	13,00
TTS 692/1	60-75-12/L	60,00	75,00	13,00
TTS 693	60-80-12/L-AI	60,00	80,00	13,00
TTS 694	61-69-8	61,00	69,00	9,00
TTS 695	61-69-8/L	61,00	69,00	9,00
TTS 695/1	61-69,7-8/L	61,00	69,70	9,00
TTS 696	63-71-8	63,00	71,00	9,00
TTS 696/1	63-72,5-11,5/L	63,00	72,50	12,50
TTS 697	63-75-8,6/L-AI	63,00	75,00	9,50
TTS 698	63-75-10	63,00	75,00	11,00
TTS 699	63-75-12/L-AI	63,00	75,00	13,00
TTS 699/1	63-78-10/L-AI	63,00	78,00	11,00
TTS 699/2	63-78-11/L-AI	63,00	78,00	12,00
TTS 700	63-78-11,5/L-AI	63,00	78,00	12,50
TTS 700/1	63-78-11,5/L	63,00	78,00	12,50
TTS 701	63-78-12,5-L/AI	63,00	78,00	13,50
TTS 702	63-83-12/L-AI	63,00	83,00	13,00
TTS 703	63-83-13,5/L-AI	63,00	83,00	14,50
TTS 704	63,5-76,2-9,5/L	63,50	76,20	10,50
TTS 704/3	65-73-8/L	65,00	73,00	9,00
TTS 704/1	65-75-5,5	65,00	75,00	6,50
TTS 704/2	65-75-7	65,00	75,00	8,00
TTS 704/4	65-75-10	65,00	75,00	11,00
TTS 705	65-75-12	65,00	75,00	13,00
TTS 706	65-75-12/L	65,00	75,00	13,00
TTS 706/1	65-75-12/L-AI	65,00	75,00	13,00
TTS 707	65-75-12,5/L	65,00	75,00	13,50
TTS 708	65-77,7-9,5/L	65,00	77,70	10,50
TTS 709	65-79,2-11,5/L	65,00	79,20	12,50
TTS 709/1	65-80-11	65,00	80,00	12,00
TTS 710	65-80-11,5/L-AI	65,00	80,00	12,50
TTS 711	66-80-10	66,00	80,00	11,00
TTS 712	66,7-76,2-9,5/L	66,70	76,20	10,50
TTS 713	68-76-8	68,00	76,00	9,00
TTS 714	68-76-8/L	68,00	76,00	9,00
TTS 714/1	69-78,3-8/L	69,00	78,30	8,70
TTS 715	69,8-82,5-9,5/L	69,80	82,50	10,50
TTS 715/1	70-78-8	70,00	78,00	9,00
TTS 715/2	70-78-8/L	70,00	78,00	9,00
TTS 716	70-80-7	70,00	80,00	8,00
TTS 716/1	70-80-7/AI	70,00	80,00	8,00
TTS 717	70-80-10	70,00	80,00	11,00
TTS 718	70-80-12	70,00	80,00	13,00
TTS 719	70-80-12/AI	70,00	80,00	13,00

**TECNOLAN**

Guarnizioni per STELO  
ROD seals

**TTS**  
**TTS/L**  
**TTS/L-AI**

www.prhseals.com





**PRH SEALS GROUP (INDIA)**

PART NR		DIMENSIONI SEDI / Housing dimensions		
		d	D	H
TTS 720	70-82-9	70,00	82,00	10,00
TTS 721	70-85-11,5/L	70,00	85,00	12,50
TTS 722	70-85-12/L-AI	70,00	85,00	13,00
TTS 723	70-90-12/L-AI	70,00	90,00	13,00
TTS 724	70-90-13,5/L-AI	70,00	90,00	14,50
TTS 725	72-78-6	72,00	78,00	7,00
TTS 725/1	72-80-8/L	72,00	80,00	8,70
TTS 726	73-82,4-7/L	73,00	82,40	8,00
TTS 726/1	75-83-5,8/L	75,00	83,00	6,30
TTS 726/2	75-83-7/L	75,00	83,00	8,00
TTS 727	75-83-8/L	75,00	83,00	9,00
TTS 727/1	75-83-11,5/L	75,00	83,00	12,50
TTS 728	75-85-7,2	75,00	85,00	8,00
TTS 729	75-85-7/L	75,00	85,00	8,00
TTS 729/1	75-85-7/AI	75,00	85,00	8,00
TTS 730	75-85-12	75,00	85,00	13,00
TTS 731	75-85-12/L	75,00	85,00	13,00
TTS 732	75-85-12/L-AI	75,00	85,00	13,00
TTS 732/1	75-88-13/L-AI	75,00	88,00	14,00
TTS 733	75-90-10,5/L	75,00	90,00	11,50
TTS 734	75-90-12/L-AI	75,00	90,00	13,00
TTS 735	75-95-13,5/L-AI	75,00	95,00	14,50
TTS 736	76-84-8	76,00	84,00	9,00
TTS 737	76-84-8/L	76,00	84,00	9,00
TTS 737/1	76-85,3-8/L	76,00	85,30	8,70
TTS 738	76,2-88,9-9,5/L	76,20	88,90	10,50
TTS 739	76,2-91,2-12/L	76,20	91,20	13,00
TTS 740	78-86-13/L	78,00	86,00	14,00
TTS 741	78-93-10,5	78,00	93,00	11,50
TTS 741/1	79-87,7-8/L	79,00	87,70	9,00
TTS 742	79,4-88,9-9,5/L	79,40	88,90	10,50
TTS 742/1	80-88-8/L	80,00	88,00	9,00
TTS 743	80-88-9/L-AI	80,00	88,00	10,00
TTS 743/1	80-88-11,5/L	80,00	88,00	12,50
TTS 743/2	80-89,5-11,5/L	80,00	89,50	12,50
TTS 744	80-90-7,2	80,00	90,00	8,00
TTS 744/1	80-90-7,2/L	80,00	90,00	8,00
TTS 745	80-90-12	80,00	90,00	13,00
TTS 746	80-90-12/L	80,00	90,00	13,00
TTS 747	80-90-14	80,00	90,00	15,00
TTS 748	80-92-9/L	80,00	92,00	9,60
TTS 748/1	80-93-13/L-AI	80,00	93,00	14,00
TTS 748/2	80-92-9	80,00	92,00	9,60
TTS 749	80-95-11/L	80,00	95,00	12,00
TTS 750	80-95-11,5/L	80,00	95,00	12,50
TTS 751	80-95-11,5/L-AI	80,00	95,00	12,50
TTS 752	80-96-9,5/L	80,00	96,00	10,50
TTS 753	80-96-9,5/L-AI	80,00	96,00	10,50
TTS 754	80-100-11,5/L-AI	80,00	100,00	12,50
TTS 754/1	80-100-12/L	80,00	100,00	13,00
TTS 755	80-100-13,5/L	80,00	100,00	14,50
TTS 755/1	80-100-13,5/L-AI	80,00	100,00	14,50

# PRH SEALS GROUP (INDIA)

PART NR		DIMENSIONI SEDI / Housing dimensions		
		d	D	H
TTS 756	82,5-97,5-12/L	82,50	97,50	13,00
TTS 756/1	83-98-12/L	83,00	98,00	13,00
TTS 756/2	85-93-8	85,00	93,00	9,00
TTS 757	85-95-7	85,00	95,00	8,00
TTS 757/2	85-95-7/AI	85,00	95,00	8,00
TTS 757/1	85-95-12/L	85,00	95,00	13,00
TTS 758	85-97-8,5	85,00	97,00	9,50
TTS 758/1	85-100-13/L-AI	85,00	100,00	14,00
TTS 759	85-105-12/L-AI	85,00	105,00	13,00
TTS 759/1	85-105-12/L	85,00	105,00	13,00
TTS 760	85-105-13,5/L	85,00	105,00	14,50
TTS 760/1	85,5-97,5-12/L	85,50	97,50	13,00
TTS 760/2	85,7-111,1-14	85,70	111,10	15,00
TTS 761	86-92-6	86,00	92,00	7,00
TTS 762	86-101-12/L	86,00	101,00	13,00
TTS 763	88-96-8	88,00	96,00	9,00
TTS 764	88-96-8/L	88,00	96,00	9,00
TTS 764/1	88-97,3-8/L	88,00	97,30	8,70
TTS 765	88,9-101,6-9,5/L	88,90	101,60	10,50
TTS 766	90-96-4,8	90,00	96,00	5,50
TTS 766/1	90-98-5,8	90,00	98,00	6,30
TTS 766/2	90-98-8/L	90,00	98,00	9,00
TTS 766/4	90-98-7/L	90,00	98,00	8,00
TTS 766/5	90-100-6,5	90,00	100,00	7,50
TTS 766/3	90-100-12/L	90,00	100,00	13,00
TTS 766/6	90-100-12	90,00	100,00	13,00
TTS 767/1	90-100-14/L-AI	90,00	100,00	15,00
TTS 767	90-102-9/L	90,00	102,00	10,00
TTS 768	90-105-8,5/L-AI	90,00	105,00	9,50
TTS 769	90-105-11,5/L	90,00	105,00	12,50
TTS 769/1	90-105-13/L-AI	90,00	105,00	14,00
TTS 770	90-105-12/L-AI	90,00	105,00	13,00
TTS 771	90-110-11,5/L-AI	90,00	110,00	12,50
TTS 772	90-110-12/L-AI	90,00	110,00	13,00
TTS 773	90-110-14/L	90,00	110,00	15,00
TTS 774	91-99-8	91,00	99,00	9,00
TTS 775	91-99-8/L	91,00	99,00	9,00
TTS 775/1	92-101,3-8/L	92,00	101,30	8,70
TTS 776	95-103-11,5/L	95,00	103,00	12,50
TTS 776/1	95-110-13/L-AI	95,00	110,00	14,00
TTS 777	95-112-11,5	95,00	112,00	12,50
TTS 778	95-115-13,5/L-AI	95,00	115,00	14,50
TTS 779	97-105-13/L	97,00	105,00	14,00
TTS 779/1	98-106,7-8/L	98,00	106,70	9,00
TTS 779/2	98-107,5-11,5/L	98,00	107,50	12,50
TTS 779/3	100-108-8/L	100,00	108,00	8,50
TTS 779/4	100-108-11,5	100,00	108,00	12,50
TTS 779/5	100-110-11,5/L	100,00	110,00	12,50
TTS 780	100-110-12,5/L-AI	100,00	110,00	13,50
TTS 780/2	100-110-12/L	100,00	110,00	13,00
TTS 780/1	100-112-14/L	100,00	112,00	15,00
TTS 781	100-113-12,5/L-AI	100,00	113,00	13,50

**TECNOLAN**

Guarnizioni per STELO  
ROD seals

**TTS**  
**TTS/L**  
**TTS/L-AI**

[www.prhseals.com](http://www.prhseals.com)





**PRH SEALS GROUP (INDIA)**

PART NR		DIMENSIONI SEDI / Housing dimensions		
		d	D	H
TTS 782	100-115-12/L	100,00	115,00	13,00
TTS 782/1	100-120-11,5/L	100,00	120,00	12,50
TTS 782/3	101,6-114,3-9,5/L	101,60	114,30	10,50
TTS 782/2	105-113-7/L	105,00	113,00	8,00
TTS 783	100-120-13,5/L-AI	100,00	120,00	14,50
TTS 783/1	105-113-5,8	105,00	113,00	6,30
TTS 783/2	105-113-8/L	105,00	113,00	9,00
TTS 783/3	105-120-11	105,00	120,00	12,00
TTS 783/4	105-120-11/L	105,00	120,00	12,00
TTS 784	105-125-12/L-AI	105,00	125,00	13,00
TTS 785	107-115-8	107,00	115,00	9,00
TTS 786	107-115-8/L	107,00	115,00	9,00
TTS 786/1	107-116,3-8/L	107,00	116,30	8,70
TTS 787	108-116-8/L	108,00	116,00	9,00
TTS 787/1	108-117-8/L	108,00	117,00	8,70
TTS 787/2	108-123-12/L	108,00	123,00	13,00
TTS 787/3	110-118-8/L	110,00	118,00	9,00
TTS 788	110-120-13,5/L-AI	110,00	120,00	14,50
TTS 789	110-120-11,5/L	110,00	120,00	12,50
TTS 790	110-125-11,3/L	110,00	125,00	12,00
TTS 791	110-130-12/L-AI	110,00	130,00	13,00
TTS 792	112-127-12/L	112,00	127,00	13,00
TTS 792/1	114-130-20/L-AI	114,00	130,00	21,00
TTS 792/2	114,3-127-9,5/L	114,30	127,90	10,50
TTS 793	115-123-11,5/L	115,00	123,00	12,50
TTS 793/1	115-130-11	115,00	130,00	12,00
TTS 793/3	115-130-11/L-AI	115,00	130,00	12,00
TTS 793/2	115-130-15/L-AI	115,00	130,00	16,00
TTS 794	115-130-16/L-AI	115,00	130,00	17,00
TTS 794/1	116-124,7-8/L	116,00	124,70	9,00
TTS 794/2	116-125,5-11,5/L	116,00	125,50	12,50
TTS 795	118-126-13/L	118,00	126,00	14,00
TTS 795/1	120-128-5,8	120,00	128,00	6,30
TTS 795/2	120-128-8/L	120,00	128,00	9,00
TTS 795/3	120-128-7/L	120,00	128,00	8,00
TTS 796	120-135-15	120,00	135,00	16,00
TTS 797	120-140-11,5/L-AI	120,00	140,00	12,50
TTS 797/1	125-133-11,5	125,00	133,00	12,50
TTS 797/2	125-133-6,5/L	125,00	133,00	7,50
TTS 798	126-134-8	126,00	134,00	9,00
TTS 799	126-134-8/L	126,00	134,00	9,00
TTS 799/1	126-135,3-8/L	126,00	135,30	8,70
TTS 799/2	127-152,4-14	127,00	152,40	15,00
TTS 800	127-140-12,5/L-AI	127,00	140,00	13,50
TTS 800/3	129-137-8/L	129,00	137,00	9,00
TTS 800/1	130-140-7/AI	130,00	140,00	8,00
TTS 800/2	130-145-11	130,00	145,00	12,00
TTS 801	130-145-15/L	130,00	145,00	16,00
TTS 801/1	130-150-15	130,00	150,00	16,00
TTS 801/2	130-150-15/L	130,00	150,00	16,00
TTS 802	130-155-15/L	130,00	155,00	16,00
TTS 802/1	135-143,7-8/L	135,00	143,70	9,00

**www.prhseals.com**

# PRH SEALS GROUP (INDIA)

PART NR		DIMENSIONI SEDI / Housing dimensions		
		d	D	H
TTS 802/2	135-143-11,5/L	135,00	143,00	12,50
TTS 802/3	135-144,5-11,5/L	135,00	144,50	12,50
TTS 802/4	135-150-11	135,00	150,00	12,00
TTS 803	137-152-12/L	137,00	152,00	13,00
TTS 803/2	140-148-7/L	140,00	148,00	8,00
TTS 803/1	140-155-11	140,00	155,00	12,00
TTS 804	140-155,5-5,8	140,00	155,50	6,30
TTS 805	140-160-14/L-AI	140,00	160,00	15,00
TTS 805/1	140-160-14/L	140,00	160,00	15,00
TTS 806	140-165-18/L-AI	140,00	165,00	19,00
TTS 807	143-151-13/L	143,00	151,00	14,00
TTS 808	145-153-8	145,00	153,00	9,00
TTS 809	145-153-8/L	145,00	153,00	9,00
TTS 809/1	145-154,3-8/L	145,00	154,30	8,70
TTS 809/2	145-157,7-9/AI	145,00	157,70	10,00
TTS 809/3	145-160-15/L-AI	145,00	160,00	16,00
TTS 810	146-156-10/L	146,00	156,00	11,00
TTS 810/9	150-158-11,5	150,00	158,00	12,50
TTS 810/10	150-160-12,5/L	150,00	160,00	13,50
TTS 810/1	150-170-13,5/AI	150,00	170,00	14,50
TTS 810/11	151-159-8/L	151,00	159,00	9,00
TTS 810/7	152,4-177,8-14	152,40	177,80	15,00
TTS 810/6	152,4-188,8-14	152,40	188,80	15,00
TTS 810/2	154-162,7-8/L	154,00	162,70	9,00
TTS 810/8	154,5-164-11,5/L	154,50	164,00	12,50
TTS 810/3	155-163-11,5/L	155,00	163,00	12,50
TTS 810/4	155-170-11	155,00	170,00	12,00
TTS 810/5	160-180-15	160,00	180,00	16,00
TTS 811	160-185-18/L-AI	160,00	185,00	19,00
TTS 812	163-178-12/L	163,00	178,00	13,00
TTS 812/1	165-174,3-8/L	165,00	174,30	8,70
TTS 813/1	165-180-11	165,00	180,00	12,00
TTS 813/2	165-173-11,5/L	165,00	173,00	12,50
TTS 813	165-173-22	165,00	173,00	23,00
TTS 814	165,5-173-9/L	165,50	173,00	10,00
TTS 814/2	166-174-11/L	166,00	174,00	12,00
TTS 814/1	167-176,3-8	167,00	176,30	8,70
TTS 815	170-180-10/L	170,00	180,00	11,00
TTS 815/4	170-182,7-9/L	170,00	182,70	10,00
TTS 815/1	174-182,7-8/L	174,00	182,70	9,00
TTS 815/5	175-184,5-11,5/L	175,00	184,50	12,50
TTS 815/2	175-185-12/L	175,00	184,50	13,00
TTS 815/6	180-188-11,5	180,00	188,00	12,50
TTS 815/7	180-190-12,5/L	180,00	190,00	13,50
TTS 815/3	187-196,3-8/L	187,00	196,30	8,70
TTS 816/2	187-196,5-11,5/L	187,00	196,50	12,50
TTS 816	188-203-12/L	188,00	203,00	13,00
TTS 816/3	195-210-15/L-AI	195,00	210,00	16,00
TTS 816/5	195-201-15/L-AI	195,00	201,00	16,00
TTS 816/1	196-204,7-8/L	196,00	204,70	9,00
TTS 816/4	197-206,5-11,5/L	197,00	206,50	12,50
TTS 817	197-209-12/L	197,00	209,00	13,00

**TECNOLAN**

Guarnizioni per STELO  
ROD seals

**TTS**  
**TTS/L**  
**TTS/L-AI**

[www.prhseals.com](http://www.prhseals.com)







[www.prhseals.com](http://www.prhseals.com)



**TTI  
TTI/L  
TTI/L-AI**

**Guarnizioni per STELO  
ROD seals**

**TECNOLAN**

Versione standard			Standard version		
TTI	TTI/L	Poliuretano	TTI	TTI/L	Polyurethane
TTI/AI	TTI/L AI	Poliuretano +POM	TTI/AI	TTI/L AI	Polyurethane+POM
Versioni Alternative			Alternative Versions		
Poliuretano Basse Temperature			Low Temperature Polyurethane		
Pressione fino a / Pressure up to					
40 MPa					
Velocità fino a / Speed up to					
0.5 m/s					
Temperatura / Temperature					
-35°C +100°C			-45°C +110°C PN 522		
Applicazioni			Applications		
Cilindri Idraulici			Hydraulic Cylinders		
Cilindri Telescopici			Telescopic Cylinders		
Cilindri per Gru			Truck crane Cylinders		
Sponde Idrauliche			Tail Lifts		
Cilindri per Agricoltura			Agricultural Cylinders		
Presse ad iniezione			Injection moulding machines		

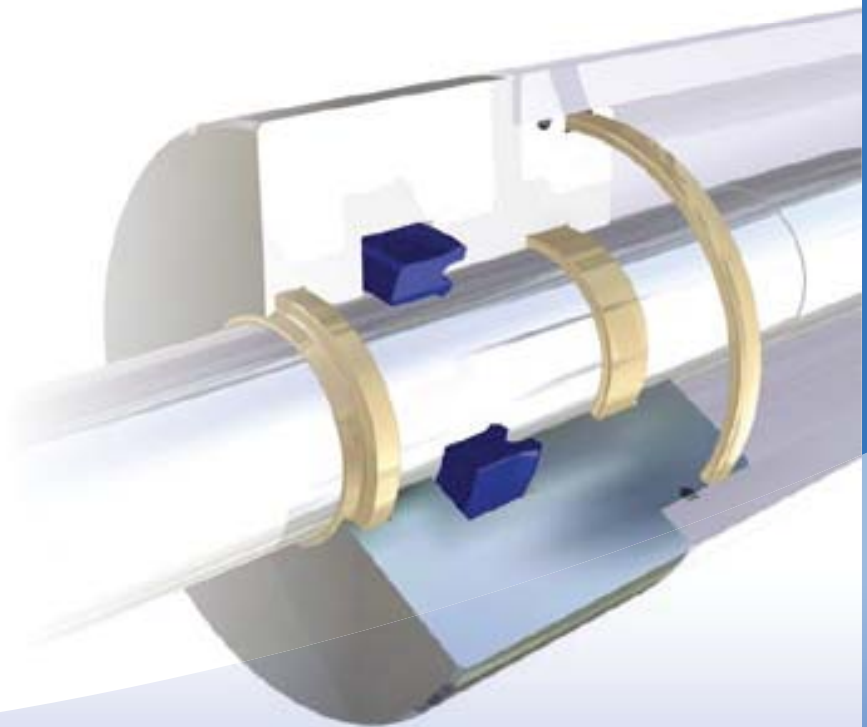
**www.prhseals.com**



Guarnizioni per STELO  
ROD seals

**TTI • TTI/L • TTI/L-AI**

60÷77



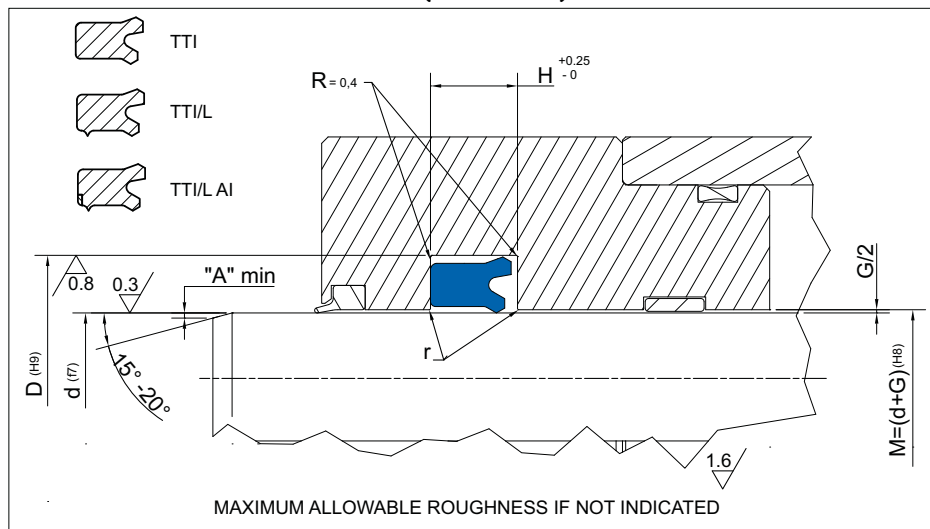
[www.prhseals.com](http://www.prhseals.com)

# PRH SEALS GROUP (INDIA)

**TECNOLAN**

Guarnizioni per STELO  
ROD seals

**TTI**  
**TTI/L**  
**TTI/L-AI**



### Rod Seal design guidelines

	0mm < d ≤ 50mm	50mm < d ≤ 100mm	100mm < d ≤ 150mm	d ≥ 150mm
r	remove sharp edges			
A	1 mm	2 mm	3 mm	3 mm < A ≤ 5 mm

### Operating pressure to determinate Maximum Gap Allowance: G/2

G	Profile Dimension	> 16 MPa	> 26 MPa	> 32 MPa	> 40 MPa
	≤ 5		0.50 mm	0.40 mm	0.35 mm
> 5.0 – 7.5		0.55 mm	0.45 mm	0.40 mm	0.35 mm
> 7.5 – 12.5		0.60 mm	0.50 mm	0.45 mm	0.40 mm
15		0.65 mm	0.55 mm	0.45 mm	0.40 mm

PART NR		DIMENSIONI SEDI / Housing dimensions		
		d	D	H
TTI 1501	6-12/1	6,00	12,00	5,80
TTI 1502	6-14	6,00	14,00	6,30
TTI 1503	8-14,4/1	8,00	14,40	10,50
TTI 1504	8-14	8,00	14,00	3,20
TTI 1504/1	8-14/L	8,00	14,00	6,00
TTI 1504/2	8-16/1	8,00	16,00	5,00
TTI 1505	8-16/L	8,00	16,00	6,30
TTI 1506	8-18/1	8,00	18,00	9,00
TTI 1507	10-18	10,00	18,00	6,30
TTI 1508	10-20	10,00	20,00	8,00
TTI 1509	10-20/1	10,00	20,00	9,00
TTI 1509/3	11-16	11,00	16,00	4,00
TTI 1509/2	12-17/L	12,00	17,00	4,50
TTI 1509/1	12-18	12,00	18,00	4,50
TTI 1510	12-20	12,00	20,00	6,40
TTI 1510/1	12-22/2	12,00	22,00	5,00
TTI 1511	12-22	12,00	22,00	8,00
TTI 1512	12-22/1	12,00	22,00	9,00
TTI 1512/1	14-21	14,00	21,00	5,80
TTI 1512/2	14,5-20	14,50	20,00	4,00
TTI 1513	14-22	14,00	22,00	6,30
TTI 1514	14-24	14,00	24,00	8,00
TTI 1514/1	14-24/1	14,00	24,00	6,30
TTI 1515	14-24/L	14,00	24,00	8,00
TTI 1516	14-24/2	14,00	24,00	9,00
TTI 1516/1	15-23/L	15,00	23,00	6,30
TTI 1517	15-23	15,00	23,00	6,30

**www.prhseals.com**

# PRH SEALS GROUP (INDIA)

PART NR		DIMENSIONI SEDI / Housing dimensions		
		d	D	H
TTI 1517/1	15-23/1	15,00	23,00	5,00
TTI 1518	15-25/1	15,00	25,00	9,00
TTI 1519	15-26/L	15,00	26,00	8,00
TTI 1520	15,4-25,5/L	15,40	25,50	7,40
TTI 1521	16-20,6	16,00	20,60	3,60
TTI 1521/1	16-22	16,00	22,00	6,00
TTI 1521/2	16-22/1	16,00	22,00	4,00
TTI 1522	16-24	16,00	24,00	6,30
TTI 1522/1	16-24/L	16,00	24,00	6,30
TTI 1523	16-24/1	16,00	24,00	7,00
TTI 1523/1	16-24/1-L	16,00	24,00	7,00
TTI 1524	16-26	16,00	26,00	8,00
TTI 1525	16-26/1	16,00	26,00	9,00
TTI 1526	16-26/2	16,00	26,00	10,00
TTI 1527	18-24	18,00	24,00	5,20
TTI 1527/1	18-25/L	18,00	25,00	6,00
TTI 1527/2	18-26	18,00	26,00	5,70
TTI 1528	18-26/2	18,00	26,00	6,30
TTI 1529	18-26/1-L	18,00	26,00	7,00
TTI 1530	18-26/1	18,00	26,00	9,00
TTI 1531	18-26/2-L	18,00	26,00	9,00
TTI 1532	18-28	18,00	28,00	8,00
TTI 1533	18-28/1	18,00	28,00	9,00
TTI 1533/1	19,5-25,4	19,50	25,40	6,30
TTI 1534	19,5-27,5/L	19,50	27,50	9,00
TTI 1534/1	20-25/L	20,00	25,00	3,50
TTI 1535	20-26/1	20,00	26,00	5,50
TTI 1535/1	20-26/L	20,00	26,00	5,50
TTI 1536	20-28	20,00	28,00	6,30
TTI 1537	20-28/1	20,00	28,00	7,00
TTI 1537/1	20-28/AI	20,00	28,00	6,30
TTI 1537/2	20-28/L	20,00	28,00	7,00
TTI 1537/3	20-28/1-AI	20,00	28,00	8,00
TTI 1538	20-28/2	20,00	28,00	8,00
TTI 1539	20-30	20,00	30,00	8,00
TTI 1539/1	20-30-L	20,00	30,00	8,00
TTI 1540	20-30/2	20,00	30,00	9,00
TTI 1540/1	20-30/3-L	20,00	30,00	9,00
TTI 1541	20-30/1	20,00	30,00	11,00
TTI 1542	20-35	20,00	35,00	11,00
TTI 1542/1	20,5-30	20,50	30,00	5,70
TTI 1543	22-30	22,00	30,00	6,30
TTI 1544	22-30/L	22,00	30,00	6,30
TTI 1544/1	22-32	22,00	32,00	6,00
TTS 1544/2	22-32/1	22,00	32,00	7,50
TTI 1545	22-32/4	22,00	32,00	8,00
TTI 1546	22-32/2	22,00	32,00	9,00
TTI 1546/1	22-32/L	22,00	32,00	9,00
TTI 1547	22-32/3	22,00	32,00	11,00
TTI 1547/1	22-32/3-L	22,00	32,00	11,00
TTI 1548	24-34	24,00	34,00	8,00
TTI 1549	24-34/1	24,00	34,00	9,50

**TECNOLAN**

Guarnizioni per STELO  
ROD seals

**TTI**  
**TTI/L**  
**TTI/L-AI**

[www.prhseals.com](http://www.prhseals.com)



**TTI**  
**TTI/L**  
**TTI/L-AI**



**PRH SEALS GROUP (INDIA)**

PART NR		DIMENSIONI SEDI / Housing dimensions		
		d	D	H
TTI 1549/1	25-32/L	25,00	32,00	7,00
TTI 1549/2	25-31,4/L	25,00	31,40	9,00
TTI 1550	25-33	25,00	33,00	6,30
TTI 1550/1	25-33/L	25,00	33,00	6,30
TTI 1551	25-33/3	25,00	33,00	7,00
TTI 1552	25-33/3-L	25,00	33,00	7,00
TTI 1553	25-33/1-L	25,00	33,00	7,50
TTI 1553/1	25-33/1	25,00	33,00	7,50
TTI 1554	25-33/5	25,00	33,00	8,00
TTI 1555	25-33/5-L	25,00	33,00	8,00
TTI 1555/1	25-33/4-L	25,00	33,00	9,00
TTI 1555/2	25-33/4	25,00	33,00	9,00
TTI 1556	25-33/2	25,00	33,00	11,00
TTI 1556/1	25-33/2-L	25,00	33,00	11,00
TTI 1557	25-35	25,00	35,00	8,00
TTI 1557/2	25-35/1-L	25,00	35,00	8,00
TTI 1557/1	25-35/L	25,00	35,00	9,00
TTI 1558	25-35/2	25,00	35,00	9,00
TTI 1558/1	25-35/3-L	25,00	35,00	11,00
TTI 1559	25-35/1	25,00	35,00	11,00
TTI 1560	25-38/1	25,00	38,00	10,00
TTI 1561	25-40	25,00	40,00	11,00
TTI 1561/1	26-33,5	26,00	33,50	5,00
TTI 1562	28-36	28,00	36,00	6,30
TTI 1563	28-38	28,00	38,00	8,00
TTI 1563/1	28-38/L	28,00	38,00	8,00
TTI 1564	28-38/1-L	28,00	38,00	8,50
TTI 1565	28-38/1	28,00	38,00	9,00
TTI 1566	28-38/2	28,00	38,00	11,00
TTI 1567	28-40	28,00	40,00	9,50
TTI 1568	28-43	28,00	43,00	12,50
TTI 1568/1	28,57-36,50/L	28,57	36,50	7,50
TTI 1569	30-38	30,00	38,00	6,30
TTI 1569/1	30-38/L	30,00	38,00	6,30
TTI 1569/2	30-38/1-L	30,00	38,00	9,00
TTI 1570	30-38/1	30,00	38,00	9,00
TTI 1570/1	30-38/2	30,00	38,00	7,00
TTI 1570/2	30-38/2-AI	30,00	38,00	7,00
TTI 1570/3	30-38/3	30,00	38,00	8,00
TTI 1571	30-40/3	30,00	40,00	6,30
TTI 1571/1	30-40/2-L	30,00	40,00	7,00
TTI 1572	30-40/1-L	30,00	40,00	7,50
TTI 1572/1	30-40/AI	30,00	40,00	7,50
TTI 1573	30-40	30,00	40,00	8,00
TTI 1573/1	30-40	30,00	40,00	9,00
TTI 1573/1	30-40/5	30,00	40,00	9,00
TTI 1574	30-40/L	30,00	40,00	8,00
TTI 1574/1	30-40/5-L	30,00	40,00	9,00
TTI 1575	30-40/2	30,00	40,00	10,50
TTI 1576	30-40/1	30,00	40,00	11,00
TTI 1576/1	30-40/3-L	30,00	40,00	11,00
TTI 1577	30-43	30,00	43,00	10,00

**www.prhseals.com**

# PRH SEALS GROUP (INDIA)

PART NR		DIMENSIONI SEDI / Housing dimensions		
		d	D	H
TTI 1578	30-45/1	30,00	45,00	9,00
TTI 1579	30-45	30,00	45,00	11,00
TTI 1579/1	30-45/2-L	30,00	45,00	11,00
TTI 1579/2	31,75-41,27/L	31,75	41,27	7,50
TTI 1580	32-40	32,00	40,00	6,30
TTI 1580/1	32-40/2	32,00	40,00	5,00
TTI 1580/2	32-40/2-L	32,00	40,00	8,00
TTI 1581	32-40/L	32,00	40,00	7,70
TTI 1581/1	32-40/1-L	32,00	40,00	8,00
TTI 1582	32-40/1	32,00	40,00	9,00
TTI 1583	32-41,5/L	32,00	41,50	8,00
TTI 1584	32-42	32,00	42,00	8,00
TTI 1585	32-42/1	32,00	42,00	11,00
TTI 1586	32-42,5/1	32,00	42,53	9,00
TTI 1587	32-45/1	32,00	45,00	10,50
TTI 1588	32-47/1	32,00	47,00	11,00
TTI 1589	33-43	33,00	43,00	11,00
TTI 1590	35-43	35,00	43,00	6,30
TTI 1591	35-43/L	35,00	43,00	8,00
TTI 1592	35-43/1	35,00	43,00	9,00
TTI 1592/1	35-43/2	35,00	43,00	7,00
TTI 1592/2	35-43/3	35,00	43,00	11,00
TTI 1592/3	35-43/L	35,00	43,00	7,00
TTI 1593	35-45	35,00	45,00	8,00
TTI 1593/1	35-45/L	35,00	45,00	8,00
TTI 1593/2	35-45/4-L	35,00	45,00	7,00
TTI 1593/3	35-45/3	35,00	45,00	9,00
TTI 1594	35-45/1	35,00	45,00	11,00
TTI 1594/1	35-45/1-L	35,00	45,00	11,00
TTI 1595	35-45/2	35,00	45,00	13,50
TTI 1596	35-46	35,00	46,00	9,00
TTI 1597	35-46/1	35,00	46,00	10,00
TTI 1597/1	35-47	35,00	47,00	7,00
TTI 1597/2	35-47/1	35,00	47,00	8,00
TTI 1597/3	35-50/L	35,00	50,00	10,00
TTI 1598	35-50	35,00	50,00	11,00
TTI 1598/1	35-51	35,00	51,00	10,00
TTI 1598/2	35-51/L	35,00	51,00	11,00
TTI 1599	35-55	35,00	55,00	13,00
TTI 1599/1	36-44/1	36,00	44,00	7,00
TTI 1600	36-44/1-L	36,00	44,00	7,00
TTI 1600/1	36-44	36,00	44,00	6,30
TTI 1600/2	36-44/2-L	36,00	44,00	9,00
TTI 1601	36-46	36,00	46,00	8,00
TTI 1601/1	36-46/AI	36,00	46,00	8,00
TTI 1601/2	36-46/2-L	36,00	46,00	8,00
TTI 1602	36-46/L	36,00	46,00	8,50
TTI 1603	36-46/1-L	36,00	46,00	11,00
TTI 1604	36-48	36,00	48,00	9,00
TTI 1605	36-51	36,00	51,00	11,00
TTI 1606	36-51/1	36,00	51,00	12,50
TTI 1607	37-45	37,00	45,00	6,30

**TECNOLAN**

Guarnizioni per STELO  
ROD seals

**TTI**  
**TTI/L**  
**TTI/L-AI**

[www.prhseals.com](http://www.prhseals.com)



**TTI**  
**TTI/L**  
**TTI/L-AI**



**PRH SEALS GROUP (INDIA)**

PART NR		DIMENSIONI SEDI / Housing dimensions		
		d	D	H
TTI 1607/1	37-45/L	37,00	45,00	6,30
TTI 1607/2	37-47/L	37,00	47,00	9,00
TTI 1608	38-45	38,00	45,00	5,50
TTI 1609	38-45/1	38,00	45,00	7,00
TTI 1609/1	38-48/L	38,00	48,00	10,00
TTI 1609/2	38-48	38,00	48,00	9,00
TTI 1609/4	38,10-47,62/L	38,10	47,62	7,50
TTI 1609/3	40-44,8	40,00	44,80	4,00
TTI 1610	40-48	40,00	48,00	6,30
TTI 1610/1	40-48/1	40,00	48,00	9,00
TTI 1610/2	40-48/AI	40,00	48,00	9,00
TTI 1610/3	40-48/L	40,00	48,00	6,30
TTI 1611	40-49,5/1	40,00	49,52	10,50
TTI 1612	40-49,5/L	40,00	49,52	10,50
TTI 1613	40-50	40,00	50,00	8,00
TTI 1613/1	40-50/AI	40,00	50,00	8,00
TTI 1614	40-50/L	40,00	50,00	8,00
TTI 1614/1	40-50/3-L	40,00	50,00	7,00
TTI 1614/2	40-50/4	40,00	50,00	9,00
TTI 1615	40-50/1	40,00	50,00	11,00
TTI 1615/1	40-50/1-L	40,00	50,00	11,00
TTI 1616	40-50/2	40,00	50,00	13,50
TTI 1617	40-52	40,00	52,00	9,00
TTI 1618	40-55	40,00	55,00	11,00
TTI 1619	40-55/L	40,00	55,00	11,00
TTI 1619/1	40-55/2-L	40,00	55,00	10,00
TTI 1620	40-55/L-AI	40,00	55,00	11,00
TTI 1621	40-55/1	40,00	55,00	12,50
TTI 1622	40-60	40,00	60,00	13,00
TTI 1622/1	40-60/L	40,00	60,00	13,00
TTI 1623	42-50/L	42,00	50,00	12,50
TTI 1624	42-51/L-AI	42,00	51,00	11,00
TTI 1624/1	42-52	42,00	52,00	8,00
TTI 1625	42-53/L	42,00	53,00	10,00
TTI 1626	42-62/1	42,00	62,00	11,00
TTI 1627	42-62	42,00	62,00	13,00
TTI 1627/1	44,45-53,97/L	44,45	53,97	7,50
TTI 1627/4	44,45-53,97/1-L	44,45	53,97	10,50
TTI 1627/3	44,45-57,15/L	44,45	57,15	9,52
TTI 1627/2	45-50/L	45,00	50,00	6,00
TTI 1628	45-52/L-AI	45,00	52,00	14,00
TTI 1629	45-53	45,00	53,00	6,30
TTI 1629/1	45-53/L	45,00	53,00	6,30
TTI 1629/2	45-53/4	45,00	53,00	8,00
TTI 1630	45-53/3	45,00	53,00	9,00
TTI 1631	45-53/2	45,00	53,00	11,00
TTI 1632	45-53/5-L	45,00	53,00	12,50
TTI 1632/1	45-53/5	45,00	53,00	12,50
TTI 1633	45-53/1	45,00	53,00	13,00
TTI 1633/1	45-55	45,00	55,00	6,50
TTI 1634	45-55/2	45,00	55,00	8,00
TTI 1634/1	45-55/2-L	45,00	55,00	8,00

**www.prhseals.com**

# PRH SEALS GROUP (INDIA)

PART NR		DIMENSIONI SEDI / Housing dimensions		
		d	D	H
TTI 1634/2	45-55/4-L	45,00	55,00	7,00
TTI 1635	45-55/1	45,00	55,00	11,00
TTI 1635/1	45-55/1-L	45,00	55,00	11,00
TTI 1636	45-55/3-L	45,00	55,00	12,00
TTI 1636/1	45-55/L-AI	45,00	55,00	9,00
TTI 1637	45-57,7	45,00	57,70	10,50
TTI 1638	45-57,7/L	45,00	57,70	10,50
TTI 1639	45-58/1	45,00	58,00	10,00
TTI 1639/1	45-60	45,00	60,00	11,00
TTI 1640	45-60/1	45,00	60,00	12,50
TTI 1640/1	45-60/L	45,00	60,00	12,50
TTI 1641	45-65/2	45,00	65,00	11,00
TTI 1642	45-65	45,00	65,00	13,00
TTI 1643	45-65/1	45,00	65,00	14,50
TTI 1644	46-56	46,00	56,00	8,00
TTI 1644/2	46-56/1	46,00	56,00	9,00
TTI 1644/1	47-56,3	47,00	56,30	10,00
TTI 1645	48-56/1-L	48,00	56,00	12,50
TTI 1646	48-56/L	48,00	56,00	13,00
TTI 1647	50-57/L	50,00	57,00	11,00
TTI 1648	50-58/L	50,00	58,00	12,50
TTI 1649	50-59/L-AI	50,00	59,00	11,00
TTI 1649/4	50-59/1L-AI	50,00	59,00	10,50
TTI 1649/1	50-60/3	50,00	60,00	7,00
TTI 1649/3	50-60/3-L	50,00	60,00	7,00
TTI 1649/2	50-60/4	50,00	60,00	9,00
TTI 1650	50-60	50,00	60,00	8,00
TTI 1650/1	50-60/L	50,00	60,00	8,00
TTI 1651	50-60/L-AI	50,00	60,00	8,00
TTI 1651/1	50-60/5-L	50,00	60,00	7,50
TTI 1652	50-60/1	50,00	60,00	11,00
TTI 1652/1	50-60/1-L	50,00	60,00	11,00
TTI 1652/2	50-60/L-AI	50,00	60,00	11,00
TTI 1653	50-60/AI	50,00	60,00	11,00
TTI 1654	50-60/2	50,00	60,00	13,00
TTI 1655	50-62	50,00	62,00	9,00
TTI 1655/1	50-62/AI	50,00	62,00	9,00
TTI 1656	50-62,7	50,00	62,70	10,50
TTI 1657	50-62,7/L	50,00	62,70	10,50
TTI 1657/1	50-63	50,00	63,00	10,00
TTI 1658	50-65	50,00	65,00	11,00
TTI 1658/1	50-65/L	50,00	65,00	10,50
TTI 1659	50-65/1-L	50,00	65,00	11,00
TTI 1660	50-65/AI	50,00	65,00	11,00
TTI 1661	50-65/L-AI	50,00	65,00	11,00
TTI 1662	50-65/1	50,00	65,00	12,50
TTI 1663	50-65	50,00	65,00	16,50
TTI 1664	50-68	50,00	68,00	10,00
TTI 1665	50-70/1	50,00	70,00	11,00
TTI 1666	50-70	50,00	70,00	13,00
TTI 1666/1	50-70/L	50,00	70,00	13,00
TTI 1667	50-70/L-AI	50,00	70,00	13,00

**TECNOLAN**

Guarnizioni per STELO  
ROD seals

**TTI**  
**TTI/L**  
**TTI/L-AI**

[www.prhseals.com](http://www.prhseals.com)



**TTI**  
**TTI/L**  
**TTI/L-AI**



**PRH SEALS GROUP (INDIA)**

PART NR		DIMENSIONI SEDI / Housing dimensions		
		d	D	H
TTI 1668	50-70/2	50,00	70,00	14,50
TTI 1669	50-70/3-L	50,00	70,00	15,00
TTI 1669/1	53-63	53,00	63,00	6,00
TTI 1669/2	50,80-60,32/L	50,80	60,32	8,00
TTI 1670	55-62,5/L	55,00	62,50	10,00
TTI 1671	55-63/2-L	55,00	63,00	12,50
TTI 1671/1	55-63/L	55,00	63,00	9,00
TTI 1671/2	55-63	55,00	63,00	9,00
TTI 1671/3	55-63/2	55,00	63,00	12,50
TTI 1672	55-63/1	55,00	63,00	13,00
TTI 1672/1	55-63,6	55,00	63,60	6,30
TTI 1672/2	55-65/L	55,00	65,00	8,00
TTI 1673	55-65	55,00	65,00	8,00
TTI 1673/1	55-65/4	55,00	65,00	6,00
TTI 1673/2	55-65/5-L	55,00	65,00	7,00
TTI 1674	55-65/6-L	55,00	65,00	9,50
TTI 1675	55-65/1	55,00	65,00	11,00
TTI 1676	55-65/1-L	55,00	65,00	11,00
TTI 1677	55-65/AI	55,00	65,00	11,00
TTI 1678	55-65/2	55,00	65,00	13,00
TTI 1678/1	55-65/2-L	55,00	65,00	13,00
TTI 1678/2	55-65/L-AI	55,00	65,00	13,00
TTI 1679	55-65/3	55,00	65,00	14,50
TTI 1680	55-67/1	55,00	67,00	11,00
TTI 1681	55-70	55,00	70,00	11,00
TTI 1681/1	55-70/2	55,00	70,00	12,00
TTI 1681/2	55-70/L	55,00	70,00	12,50
TTI 1682	55-70/1	55,00	70,00	13,00
TTI 1683	55-75	55,00	75,00	13,00
TTI 1684	55-75/1	55,00	75,00	14,50
TTI 1684/1	56-66	56,00	66,00	8,00
TTI 1685	56-66/1	56,00	66,00	11,00
TTI 1686	56-71	56,00	71,00	11,00
TTI 1686/1	56-71/2	56,00	71,00	9,50
TTI 1687	56-71/1	56,00	71,00	12,50
TTI 1687/1	56-71/1-L	56,00	71,00	12,50
TTI 1687/2	56-76	56,00	76,00	8,00
TTI 1688	56-76/3	56,00	76,00	13,00
TTI 1689	56-76/1	56,00	76,00	14,50
TTI 1690	56-76/2	56,00	76,00	16,00
TTI 1691	57,1-66,7/L	57,10	66,70	10,50
TTI 1692	57,1-69,8/L	57,10	69,80	10,50
TTI 1692/1	60-65/L	60,00	65,00	6,50
TTI 1693	60-68/L	60,00	68,00	12,50
TTI 1694	60-68/L-AI	60,00	68,00	14,00
TTI 1695	60-69/L-AI	60,00	69,00	11,00
TTI 1695/1	60-69,5	60,00	69,50	7,00
TTI 1696	60-70	60,00	70,00	8,00
TTI 1696/1	60-70/L	60,00	70,00	8,00
TTI 1696/2	60-70/AI	60,00	70,00	8,50
TTI 1696/3	60-70/3-L	60,00	70,00	7,00
TTI 1697	60-70/2	60,00	70,00	11,00

**www.prhseals.com**

# PRH SEALS GROUP (INDIA)

PART NR		DIMENSIONI SEDI / Housing dimensions		
		d	D	H
TTI 1698	60-70/4-L	60,00	70,00	12,50
TTI 1699	60-70/1	60,00	70,00	13,00
TTI 1700	60-70/1-L	60,00	70,00	13,00
TTI 1700/1	60-70/5	60,00	70,00	16,00
TTI 1700/2	60-71/L	60,00	71,00	8,00
TTI 1701	60-72	60,00	72,00	9,00
TTI 1701/1	60-72/L	60,00	72,00	10,00
TTI 1702	60-72/1	60,00	72,00	10,00
TTI 1702/1	60-72/L-AI	60,00	72,00	12,50
TTI 1702/2	60-75/2	60,00	75,00	10,00
TTI 1703	60-75	60,00	75,00	11,00
TTI 1704	60-75/L	60,00	75,00	11,00
TTI 1704/1	60-75/3-L	60,00	75,00	12,50
TTI 1705	60-75/1	60,00	75,00	13,00
TTI 1705/1	60-75/1-L	60,00	75,00	13,00
TTI 1706	60-75/4-L	60,00	75,00	16,50
TTI 1707	60-77	60,00	77,00	12,00
TTI 1708	60-80	60,00	80,00	13,00
TTI 1709	60-80/L-AI	60,00	80,00	13,00
TTI 1709/1	60-80/2-L	60,00	80,00	13,00
TTI 1710	60-80/1	60,00	80,00	14,50
TTI 1711	61-69	61,00	69,00	8,50
TTI 1712	62-74/1	62,00	74,00	14,00
TTI 1713	63-73/1	63,00	73,00	11,00
TTI 1714	63-73/2	63,00	73,00	13,00
TTI 1714/1	63-73/2-L	63,00	73,00	13,00
TTI 1714/2	63-73/L	63,00	73,00	7,00
TTI 1715	63-75/L	63,00	75,00	11,00
TTI 1716	63-78	63,00	78,00	11,00
TTI 1716/1	63-78/1-L	63,00	78,00	12,50
TTI 1716/2	63-78/L-AI	63,00	78,00	12,50
TTI 1717	63-78/2	63,00	78,00	12,50
TTI 1718	63-78/1	63,00	78,00	13,00
TTI 1719	63-83	63,00	83,00	13,00
TTI 1720	63-83/L	63,00	83,00	13,00
TTI 1721	63-83/L-AI	63,00	83,00	13,00
TTI 1722	63-83/1	63,00	83,00	14,50
TTI 1723	63-83/1-L	63,00	83,00	14,50
TTI 1724	63-83/2	63,00	83,00	16,00
TTI 1725	63,5-76,2/L	63,50	76,20	10,50
TTI 1726	65-73/L	65,00	73,00	12,50
TTI 1726/1	65-73/L-AI	65,00	73,00	12,50
TTI 1727	65-75/L	65,00	75,00	9,00
TTI 1727/1	65-75/4-L	65,00	75,00	7,00
TTI 1728	65-75/3	65,00	75,00	11,00
TTI 1729	65-75/3-L	65,00	75,00	11,00
TTI 1729/1	65-75/2-L	65,00	75,00	12,50
TTI 1730	65-75/1-L	65,00	75,00	13,00
TTI 1731	65-75/2	65,00	75,00	14,50
TTI 1732	65-77/1	65,00	77,00	10,00
TTI 1733	65-77,7/L	65,00	77,70	10,50
TTI 1733/1	65-80/2	65,00	80,00	10,00

**TECNOLAN**

Guarnizioni per STELO  
ROD seals

**TTI**  
**TTI/L**  
**TTI/L-AI**

[www.prhseals.com](http://www.prhseals.com)



**TTI**  
**TTI/L**  
**TTI/L-AI**



**PRH SEALS GROUP (INDIA)**

PART NR		DIMENSIONI SEDI / Housing dimensions		
		d	D	H
TTI 1734	65-80	65,00	80,00	11,00
TTI 1735	65-80/1	65,00	80,00	13,00
TTI 1735/1	65-80/3-L	65,00	80,00	12,50
TTI 1736	65-85	65,00	85,00	13,00
TTI 1737	65-85/1	65,00	85,00	14,50
TTI 1738	66-80/L	66,00	80,00	11,00
TTI 1739	67-75/L	67,00	75,00	12,50
TTI 1739/1	68-80	68,00	80,00	11,00
TTI 1740	69,8-82,5/L	69,80	82,50	10,50
TTI 1741	70-77,5	70,00	77,50	10,00
TTI 1742	70-78/L	70,00	78,00	12,50
TTI 1743	70-79/L	70,00	79,00	14,00
TTI 1744	70-80/3	70,00	80,00	6,50
TTI 1745	70-80	70,00	80,00	8,00
TTI 1745/2	70-80/L	70,00	80,00	8,00
TTI 1745/1	70-80/4	70,00	80,00	6,00
TTI 1745/3	70-80/5-L	70,00	80,00	7,00
TTI 1746	70-80/L-AI	70,00	80,00	8,00
TTI 1746/1	70-80/3-L	70,00	80,00	9,00
TTI 1747	70-80/2	70,00	80,00	11,00
TTI 1748	70-80/6-L	70,00	80,00	12,50
TTI 1749	70-80/1	70,00	80,00	13,00
TTI 1750	70-80/1-L	70,00	80,00	13,00
TTI 1751	70-85	70,00	85,00	11,00
TTI 1751/1	70-85/3	70,00	85,00	12,00
TTI 1752	70-85/2	70,00	85,00	12,50
TTI 1753	70-85/L	70,00	85,00	12,50
TTI 1754	70-85/L-AI	70,00	85,00	12,50
TTI 1755	70-85/1	70,00	85,00	13,00
TTI 1756	70-90	70,00	90,00	13,00
TTI 1757	70-90/L	70,00	90,00	13,00
TTI 1758	70-90/1	70,00	90,00	14,50
TTI 1758/1	70-90/3	70,00	90,00	15,00
TTI 1759	70-90/2	70,00	90,00	16,00
TTI 1760	73-82,4/L	73,00	82,40	7,80
TTI 1761	73-82,5	73,00	82,50	8,00
TTI 1761/2	73-85	73,00	85,00	11,00
TTI 1761/1	75-80/L	75,00	80,00	6,50
TTI 1762	75-83/L	75,00	83,00	12,50
TTI 1763	75-85	75,00	85,00	8,00
TTI 1763/1	75-85/L	75,00	85,00	8,00
TTI 1764	75-85/1-L	75,00	85,00	9,50
TTI 1765	75-85/2-L	75,00	85,00	11,00
TTI 1766	75-85/L	75,00	85,00	12,50
TTI 1767	75-85/1	75,00	85,00	13,00
TTI 1767/2	75-85/1-L	75,00	85,00	13,00
TTI 1767/3	75-85/L-AI	75,00	85,00	13,00
TTI 1767/1	75-87	75,00	87,00	9,60
TTI 1768	75-90	75,00	90,00	11,00
TTI 1768/1	75-90/L	75,00	90,00	12,50
TTI 1769	75-90/1	75,00	90,00	13,00
TTI 1770	75-95	75,00	95,00	13,00

**www.prhseals.com**

# PRH SEALS GROUP (INDIA)

PART NR		DIMENSIONI SEDI / Housing dimensions		
		d	D	H
TTI 1771	75-95/1	75,00	95,00	14,50
TTI 1772	76-84/1	76,00	84,00	8,50
TTI 1773	76,2-88,9/L	76,20	88,90	10,50
TTI 1774	77-86/L	77,00	86,00	15,00
TTI 1775	78-86/1-L	78,00	86,00	12,50
TTI 1776	78-86/L-AI	78,00	86,00	14,00
TTI 1777	78-86/L	78,00	86,00	14,50
TTI 1778	78-88/L	78,00	88,00	13,00
TTI 1778/1	78-88/1-L	78,00	88,00	15,00
TTI 1779	78-90/L	78,00	90,00	13,00
TTI 1780	79,4-88,9/L	79,40	88,90	10,50
TTI 1781	80-88/L	80,00	88,00	12,50
TTI 1782	80-90	80,00	90,00	8,00
TTI 1783	80-90/2	80,00	90,00	13,00
TTI 1783/2	80-90/AI	80,00	90,00	13,00
TTI 1783/1	80-90/L	80,00	90,00	13,50
TTI 1783/3	80-90/3-L	80,00	90,00	12,50
TTI 1783/4	80-90/4-L	80,00	90,00	13,00
TTI 1784	80-90/1	80,00	90,00	15,00
TTI 1785	80-95	80,00	95,00	11,00
TTI 1785/1	80-95/L-AI	80,00	95,00	12,00
TTI 1786	80-95/1	80,00	95,00	12,50
TTI 1787	80-95/L	80,00	95,00	12,50
TTI 1788	80-95/2	80,00	95,00	13,00
TTI 1788/1	80-95/2-L	80,00	95,00	13,00
TTI 1789	80-100	80,00	100,00	13,00
TTI 1789/1	80-100/L	80,00	100,00	13,00
TTI 1790	80-100/1	80,00	100,00	14,50
TTI 1791	80-100/2	80,00	100,00	16,00
TTI 1792	82,5-97,5/L	82,50	97,50	13,00
TTI 1793	85-92,5/L	85,00	92,50	12,00
TTI 1794	85-93/L	85,00	93,00	12,50
TTI 1794/1	85-93	85,00	93,00	12,50
TTI 1795	85-95	85,00	95,00	8,00
TTI 1795/2	85-95/2-L	85,00	95,00	12,00
TTI 1795/1	85-95/2	85,00	95,00	12,00
TTI 1795/3	85-95/3-L	85,00	95,00	12,50
TTI 1796	85-95/1	85,00	95,00	13,00
TTI 1796/1	85-95/1-L	85,00	95,00	13,00
TTI 1796/3	85-100/L	85,00	100,00	10,00
TTI 1796/2	85-100	85,00	100,00	16,00
TTI 1797	85-100/1	85,00	100,00	12,00
TTI 1797/1	85-100/1-L	85,00	100,00	12,00
TTI 1798	85-100/3	85,00	100,00	12,50
TTI 1798/1	85-100/3-L	85,00	100,00	12,50
TTI 1799	85-100/2	85,00	100,00	13,00
TTI 1800	85-105	85,00	105,00	13,00
TTI 1800/1	85-105/2	85,00	105,00	15,00
TTI 1801	85-105/1	85,00	105,00	14,50
TTI 1801/1	88,5-96,5	88,50	96,50	12,50
TTI 1801/2	88,5-96,5/L	88,50	96,50	12,50
TTI 1802	88,9-101,6/L	88,90	101,60	10,50

**TECNOLAN**

Guarnizioni per STELO  
ROD seals

**TTI**  
**TTI/L**  
**TTI/L-AI**

[www.prhseals.com](http://www.prhseals.com)



**TTI**  
**TTI/L**  
**TTI/L-AI**



**PRH SEALS GROUP (INDIA)**

PART NR		DIMENSIONI SEDI / Housing dimensions		
		d	D	H
TTI 1803	90-98/L	90,00	98,00	12,50
TTI 1803/1	90-100/L	90,00	100,00	8,00
TTI 1804	90-100/1	90,00	100,00	12,50
TTI 1805	90-100/1-L	90,00	100,00	12,50
TTI 1805/1	90-100/2	90,00	100,00	6,00
TTI 1805/2	90-100/3-L	90,00	100,00	12,00
TTI 1806	90-105/2	90,00	105,00	9,50
TTI 1806/1	90-105/2-L	90,00	105,00	9,50
TTI 1806/2	90-105/L	90,00	105,00	10,00
TTI 1807	90-105/4	90,00	105,00	10,50
TTI 1808	90-105/3	90,00	105,00	12,50
TTI 1809	90-105/3-L	90,00	105,00	12,50
TTI 1810	90-105/1	90,00	105,00	13,00
TTI 1810/1	90-105/1-L	90,00	105,00	13,00
TTI 1811	90-110	90,00	110,00	13,00
TTI 1812	90-110/L	90,00	110,00	13,00
TTI 1813	90-110/1	90,00	110,00	16,00
TTI 1814	91-99/1	91,00	99,00	8,50
TTI 1814/2	91-101/L	91,00	101,00	15,00
TTI 1814/1	92-102/L	92,00	102,00	12,50
TTI 1815	93-104/1	93,00	104,00	11,00
TTI 1816	95-103/L	95,00	103,00	12,50
TTI 1816/1	95-103/1-L	95,00	103,00	13,00
TTI 1817	95-105/1-L	95,00	105,00	9,50
TTI 1818	95-105/1	95,00	105,00	11,00
TTI 1819	95-105/L	95,00	105,00	13,00
TTI 1819/1	95-105/L-AI	95,00	105,00	13,00
TTI 1820	95-115	95,00	115,00	13,00
TTI 1821	97-105/1-L	97,00	105,00	12,50
TTI 1822	97-105/L-AI	97,00	105,00	14,00
TTI 1823	97-105/L	97,00	105,00	14,50
TTI 1824	97-106	97,00	106,00	15,00
TTI 1825	99-109/L	99,00	109,00	13,00
TTI 1825/2	99-109/1-L	99,00	109,00	15,00
TTI 1825/1	99,5-109,5/L	99,50	109,50	10,00
TTI 1826	100-108/L	100,00	108,00	12,50
TTI 1827	100-110/1-L	100,00	110,00	11,00
TTI 1828	100-110/L	100,00	110,00	12,50
TTI 1829	100-110/1	100,00	110,00	15,00
TTI 1829/1	100-112/L	100,00	112,00	15,00
TTI 1830	100-113/1	100,00	113,00	13,50
TTI 1830/1	100-115/L	100,00	115,00	10,00
TTI 1830/2	100-115/1	100,00	115,00	10,00
TTI 1831	100-115/2	100,00	115,00	11,50
TTI 1832	100-115/1	100,00	115,00	13,00
TTI 1832/1	100-115/3-L	100,00	115,00	12,00
TTI 1833	100-120	100,00	120,00	13,00
TTI 1833/1	100-120/L	100,00	120,00	13,00
TTI 1834	100-120/1	100,00	120,00	14,50
TTI 1835	100-120/L-AI	100,00	120,00	14,50
TTI 1835/1	100-120/3	100,00	120,00	15,00
TTI 1836	100-120/2	100,00	120,00	16,00

**www.prhseals.com**

# PRH SEALS GROUP (INDIA)

PART NR		DIMENSIONI SEDI / Housing dimensions		
		d	D	H
TTI 1836/1	100-120/4-L	100,00	120,00	16,00
TTI 1837	100-125	100,00	125,00	19,00
TTI 1838	105-113/1-L	105,00	113,00	12,50
TTI 1839	105-113/L	105,00	113,00	14,50
TTI 1840	105-115/1	105,00	115,00	11,00
TTI 1841	105-115/2	105,00	115,00	12,50
TTI 1842	105-115/2-L	105,00	115,00	12,50
TTI 1843	105-115/3	105,00	115,00	14,50
TTI 1843/1	105-120	105,00	120,00	11,00
TTI 1843/2	105-120/L	105,00	120,00	10,00
TTI 1843/3	105-120/1-L	105,00	120,00	10,00
TTI 1844	105-125	105,00	125,00	13,00
TTI 1844/1	105-125/1	105,00	125,00	15,00
TTI 1844/2	105-125/P	105,00	125,00	16,00
TTI 1844/3	107-122	107,00	122,00	11,00
TTI 1844/4	108,5-116,5/L	108,50	116,50	12,50
TTI 1845	110-118/L	110,00	118,00	12,50
TTI 1845/1	110-125	110,00	125,00	10,60
TTI 1845/2	110-120/L	110,00	120,00	15,00
TTI 1845/3	110-120/1-L	110,00	120,00	12,00
TTI 1846	110-125/1	110,00	125,00	12,00
TTI 1846/1	110-125/L	110,00	125,00	12,00
TTI 1847	110-125/2	110,00	125,00	16,00
TTI 1847/1	110-125/2-L	110,00	125,00	16,00
TTI 1848	110-130	110,00	130,00	13,00
TTI 1848/1	110-130/L	110,00	130,00	13,00
TTI 1849	110-130/1	110,00	130,00	16,00
TTI 1849/1	110-130/P	110,00	130,00	16,00
TTI 1849/2	110-130/2-L	110,00	130,00	16,00
TTI 1850	110-135	110,00	135,00	20,00
TTI 1850/1	111-121/L	111,00	121,00	12,50
TTI 1851	112-122/L	112,00	122,00	11,00
TTI 1852	113-123/1-L	113,00	123,00	9,50
TTI 1852/1	113-135	113,00	135,00	16,00
TTI 1853	115-123/L	115,00	123,00	12,50
TTI 1853/1	115-125	115,00	125,00	11,00
TTI 1854	115-125/1	115,00	125,00	13,00
TTI 1854/1	115-125/1-L	115,00	125,00	13,00
TTI 1854/2	115-125/L-AI	115,00	125,00	13,00
TTI 1855	115-125/L	115,00	125,00	15,00
TTI 1856	115-130/L	115,00	130,00	11,00
TTI 1857	115-135	115,00	135,00	13,00
TTI 1858	117-126/L	117,00	126,00	15,00
TTI 1859	118-126/L	118,00	126,00	12,50
TTI 1859/1	118-126/L-AI	118,00	126,00	12,50
TTI 1860	118-126/1-L-AI	118,00	126,00	14,00
TTI 1861	118-126/2-L	118,00	126,00	14,50
TTI 1861/1	119,5-129,5/L	119,50	129,50	10,00
TTI 1862	120-128/L	120,00	128,00	12,50
TTI 1863	120-130/1	120,00	130,00	8,00
TTI 1864	120-130/2	120,00	130,00	12,50
TTI 1865	120-130/L	120,00	130,00	12,50

**TECNOLAN**

Guarnizioni per STELO  
ROD seals

**TTI**  
**TTI/L**  
**TTI/L-AI**

**www.prhseals.com**



**TTI**  
**TTI/L**  
**TTI/L-AI**



**PRH SEALS GROUP (INDIA)**

PART NR		DIMENSIONI SEDI / Housing dimensions		
		d	D	H
TTI 1866	120-130/1-L	120,00	130,00	13,00
TTI 1866/1	120-130/2-L	120,00	130,00	15,00
TTI 1867	120-132/L	120,00	132,00	11,00
TTI 1867/1	120-135/L-AI	120,00	135,00	12,50
TTI 1868	120-135/1	120,00	135,00	12,50
TTI 1869	120-135/2	120,00	135,00	16,00
TTI 1869/1	120-135/L	120,00	135,00	16,00
TTI 1870	120-140	120,00	140,00	13,00
TTI 1871	120-140/L	120,00	140,00	13,00
TTI 1872	120-140/1	120,00	140,00	16,00
TTI 1873	121-135/L	121,00	135,00	10,00
TTI 1874	125-133/L	125,00	133,00	12,50
TTI 1875	125-135/L	125,00	135,00	11,00
TTI 1875/3	125-137/L	125,00	137,00	15,00
TTI 1875/1	125-140/L-AI	125,00	140,00	12,50
TTI 1875/2	125-140/L	125,00	140,00	12,50
TTI 1876	125-145	125,00	145,00	13,00
TTI 1876/1	125-145/P	125,00	145,00	16,00
TTI 1877	125-145/1	125,00	145,00	16,00
TTI 1877/1	125-145/L	125,00	145,00	16,00
TTI 1878	125-150	125,00	150,00	15,00
TTI 1879	125-150/1	125,00	150,00	20,00
TTI 1880	125-155	125,00	155,00	19,00
TTI 1880/1	125,05-140,5	125,05	140,50	10,50
TTI 1881	127-140/L	127,00	140,00	12,50
TTI 1881/1	127-150	127,00	150,00	16,00
TTI 1882	128-136/L	128,00	136,00	12,50
TTI 1882/1	128,5-136,5	128,50	136,50	12,50
TTI 1882/2	128,5-136,5/L	128,50	136,50	12,50
TTI 1882/3	129-139/L	129,00	139,00	15,00
TTI 1883	130-138/L	130,00	138,00	12,50
TTI 1883/1	130-138	130,00	138,00	12,50
TTI 1884	130-140	130,00	140,00	8,00
TTI 1884/1	130-140/1-L	130,00	140,00	12,50
TTI 1884/2	130-145/L	130,00	145,00	13,00
TTI 1885	130-145/2	130,00	145,00	15,00
TTI 1886	130-145/1	130,00	145,00	16,00
TTI 1887	130-150	130,00	150,00	13,00
TTI 1888	130-150/1	130,00	150,00	16,00
TTI 1889	131-150/L	131,00	150,00	14,00
TTI 1889/1	132-140/L	132,00	140,00	12,50
TTI 1889/2	132-140/1-L	132,00	140,00	12,00
TTI 1890	132-142/L	132,00	142,00	9,50
TTI 1890/1	132-142/1-L	132,00	142,00	12,00
TTI 1891	135-143/L	135,00	143,00	12,50
TTI 1891/1	135-145/L	135,00	145,00	13,00
TTI 1891/2	135-145/L-AI	135,00	145,00	13,00
TTI 1892	135-150/L	135,00	150,00	12,50
TTI 1893	135-150/1-L	135,00	150,00	16,00
TTI 1894	137-146/L	137,00	146,00	15,00
TTI 1894/1	137-152/L	137,00	152,00	13,00
TTI 1894/2	138-148/L	138,00	148,00	15,00

**www.prhseals.com**

# PRH SEALS GROUP (INDIA)

PART NR		DIMENSIONI SEDI / Housing dimensions		
		d	D	H
TTI 1894/3	139,5-149,5/L	139,50	149,50	10,00
TTI 1895	140-148/L	140,00	148,00	12,50
TTI 1896	140-150/1	140,00	150,00	12,50
TTI 1897	140-150/1-L	140,00	150,00	12,50
TTI 1898	140-155/1	140,00	155,00	13,00
TTI 1898/1	140-155,5/AI	140,00	155,50	6,30
TTI 1898/2	140-155/AI	140,00	155,00	16,00
TTI 1899	140-160	140,00	160,00	13,00
TTI 1900	140-160/2	140,00	160,00	16,00
TTI 1901	140-165	140,00	165,00	20,00
TTI 1902	141-151/L	141,00	151,00	13,00
TTI 1902/1	141-151/1-L	141,00	151,00	15,00
TTI 1903	143-151/1-L	143,00	151,00	12,50
TTI 1904	143-151/L-AI	143,00	151,00	14,00
TTI 1905	143-151/L	143,00	151,00	14,50
TTI 1905/1	145-153/L	145,00	153,00	12,50
TTI 1906	145-155/L	145,00	155,00	13,00
TTI 1907	145-157,7/1	145,00	157,70	10,00
TTI 1908	145-160/L	145,00	160,00	13,00
TTI 1908/1	145-165	145,00	165,00	16,00
TTI 1908/2	146-156/L	146,00	156,00	11,00
TTI 1909	147-160/1	147,00	160,00	13,00
TTI 1909/1	147-170/G	147,00	170,00	16,00
TTI 1910	148-160	148,00	160,00	13,00
TTI 1910/1	148,5-156,5/L	148,50	156,50	12,50
TTI 1910/5	149-159/L	149,00	159,00	15,00
TTI 1910/3	150-158/L	150,00	158,00	12,50
TTI 1910/2	150-160/L	150,00	160,00	12,50
TTI 1910/4	150-162/L	150,00	162,00	12,50
TTI 1911	150-170	150,00	170,00	13,00
TTI 1911/1	150-170/L	150,00	170,00	14,00
TTI 1912	150-170/1	150,00	170,00	14,50
TTI 1913	150-170/2	150,00	170,00	16,00
TTI 1913/1	150-170/3	150,00	170,00	14,00
TTI 1913/2	150-170/2-L	150,00	170,00	16,00
TTI 1914	152-160/L	152,00	160,00	12,50
TTI 1915	152-162/L	152,00	162,00	11,00
TTI 1915/1	152-162/1-L	152,00	162,00	12,50
TTI 1916	152-171/L	152,00	171,00	12,50
TTI 1917	152,5-160,5/L	152,50	160,50	15,00
TTI 1918	155-163/L	155,00	163,00	12,50
TTI 1919	160-168/L	160,00	168,00	12,50
TTI 1920	160-170/L	160,00	170,00	12,50
TTI 1920/1	160-170/1-L	160,00	170,00	13,00
TTI 1920/3	160-170/L-AI	160,00	170,00	13,00
TTI 1920/4	160-170/2-L	160,00	170,00	14,00
TTI 1920/2	160-175/L	160,00	175,00	12,00
TTI 1921	160-180	160,00	180,00	13,00
TTI 1922	160-180/1	160,00	180,00	16,00
TTI 1923	160-185	160,00	185,00	20,00
TTI 1924	162-172/L	162,00	172,00	13,00
TTI 1924/4	162-172/1-L	162,00	172,00	15,00

**TECNOLAN**

Guarnizioni per STELO  
ROD seals

**TTI**  
**TTI/L**  
**TTI/L-AI**

[www.prhseals.com](http://www.prhseals.com)



**TTI**  
**TTI/L**  
**TTI/L-AI**



**PRH SEALS GROUP (INDIA)**

PART NR		DIMENSIONI SEDI / Housing dimensions		
		d	D	H
TTI 1924/2	163,5-178/L	163,50	178,00	13,00
TTI 1924/3	163,5-187,0	163,50	187,00	16,00
TTI 1924/1	165-177/L	165,00	177,00	9,00
TTI 1925	165-184/L	165,00	184,00	14,00
TTI 1925/1	165,1-184,1	165,10	184,10	13,50
TTI 1926	165-195	165,00	195,00	21,00
TTI 1926/1	166-176/L	166,00	176,00	15,00
TTI 1926/2	167-175	167,00	175,00	9,00
TTI 1927	170-178/L	170,00	178,00	12,50
TTI 1927/1	170-180/1-L	170,00	180,00	12,50
TTI 1928	170-180/L	170,00	180,00	13,00
TTI 1928/1	170-182,7	170,00	182,70	10,00
TTI 1929	170-190	170,00	190,00	13,00
TTI 1930	170-190/1	170,00	190,00	16,00
TTI 1931	171-179/L	171,00	179,00	12,50
TTI 1932	171-179/1-L	171,00	179,00	14,00
TTI 1932/2	171-179/L-AI	171,00	179,00	14,00
TTI 1932/1	171,5-179,5/L	171,50	179,50	12,50
TTI 1932/3	172-182/L	172,00	182,00	12,00
TTI 1932/4	175-183/L	175,00	183,00	12,50
TTI 1933	175-185/L	175,00	185,00	13,00
TTI 1934	177-205/L	177,00	205,00	20,00
TTI 1935	180-188/L	180,00	188,00	14,50
TTI 1936	180-190/L	180,00	190,00	11,00
TTI 1936/1	180-190/L	180,00	190,00	12,50
TTI 1937	180-195/L	180,00	195,00	13,50
TTI 1937/2	180-195/L-AI	180,00	195,00	12,50
TTI 1937/1	180-196/L	180,00	196,00	19,00
TTI 1938	180-200	180,00	200,00	13,00
TTI 1939	180-200/1	180,00	200,00	16,00
TTI 1940	180-200/2	180,00	200,00	20,00
TTI 1940/1	180-200/L-AI	180,00	200,00	20,00
TTI 1940/2	183-193/L	183,00	193,00	15,00
TTI 1941	185-193/L	185,00	193,00	12,50
TTI 1941/2	185-195/L	185,00	195,00	13,00
TTI 1941/3	185-195/L-AI	185,00	195,00	13,00
TTI 1941/1	185-210/L-AI	185,00	210,00	20,00
TTI 1942	190-210	190,00	210,00	13,00
TTI 1942/1	190-210/L-AI	190,00	210,00	16,00
TTI 1943	190-210/1	190,00	210,00	16,00
TTI 1943/1	194,5-202,5/L	194,50	202,50	12,50
TTI 1944	198-207,6	198,00	207,60	7,50
TTI 1945	200-208/L	200,00	208,00	12,50
TTI 1945/1	200-210/L	200,00	210,00	13,00
TTI 1946	200-212/1	200,00	212,00	16,00
TTI 1947	200-220	200,00	220,00	13,00
TTI 1947/1	200-220	200,00	220,00	12,00
TTI 1948	200-220/1	200,00	220,00	16,00
TTI 1949	200-225	200,00	225,00	20,00
TTI 1950	205-220/L	205,00	220,00	13,50
TTI 1950/3	207-217/1-L	207,00	217,00	15,00
TTI 1950/2	207-217/L	207,00	217,00	16,00

**www.prhseals.com**





## TTH

Guarnizioni per STELO  
ROD seals

## TECNOLAN

[www.prhseals.com](http://www.prhseals.com)

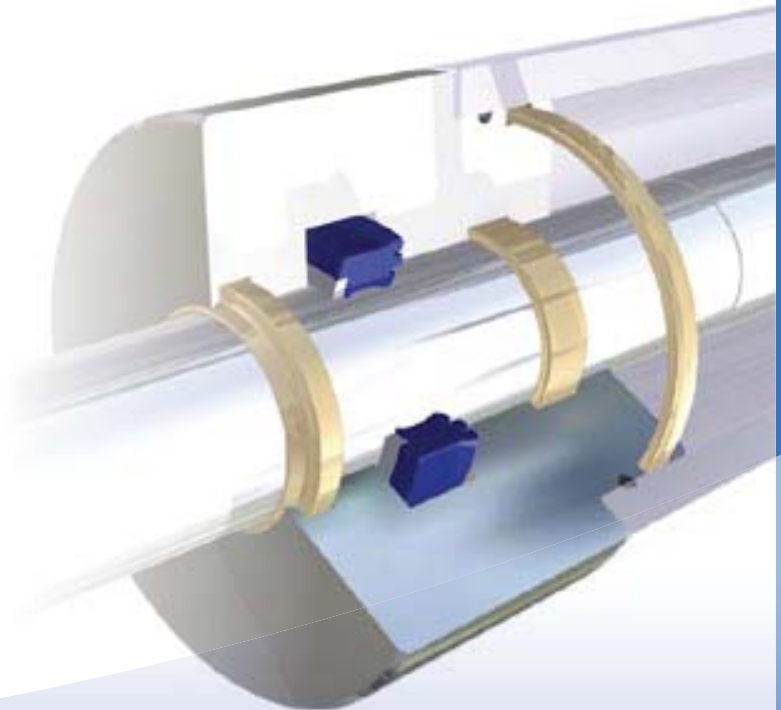
<b>Versione standard</b>	<b>Standard version</b>
Poliuretano PB508 +POM	Polyurethane PB508+POM
<b>Pressione fino a / Pressure up to</b>	
40 MPa	
<b>Velocità fino a / Speed up to</b>	
0.5 m/s	
<b>Temperatura / Temperature</b>	
-35°C +100°C	
<b>Applicazioni</b>	<b>Applications</b>
Macchine movimento terra Presse per Stampaggio Cilindri per Gru	Earth moving Machinery Presses Crane Cylinders



Guarnizioni per STELO  
ROD seals

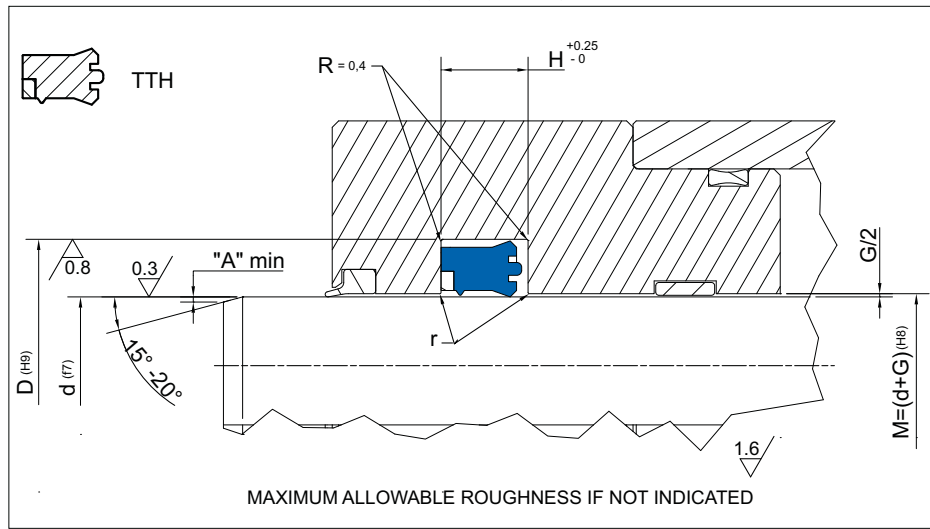
## TTH

78÷81



[www.prhseals.com](http://www.prhseals.com)

**PRH SEALS GROUP (INDIA)**



**Rod Seal design guidelines**

	0mm < d ≤ 50mm	50mm < d ≤ 100mm	100mm < d ≤ 150mm	d ≥ 150mm
r	remove sharp edges			
A	1 mm	2 mm	3 mm	3 mm < A ≤ 5 mm

**Operating pressure to determinate Maximum Gap Allowance: G/2**

G	Profile Dimension	> 16 MPa	> 26 MPa	> 32 MPa	> 40 MPa
	≤ 5		0.50 mm	0.40 mm	0.35 mm
> 5.0 – 7.5		0.55 mm	0.45 mm	0.40 mm	0.35 mm
> 7.5 – 12.5		0.60 mm	0.50 mm	0.45 mm	0.40 mm
15		0.65 mm	0.55 mm	0.45 mm	0.40 mm

PART NR	DIMENSIONI SEDI / Housing dimensions		
	d	D	H
TTH 900	32,00	42,00	8,00
TTH 901	40,00	50,00	8,00
TTH 902	45,00	55,00	8,00
TTH 903	50,00	65,00	12,50
TTH 903/2	50,00	65,00	11,00
TTH 903/1	56,00	66,00	10,00
TTH 904	56,00	71,00	12,50
TTH 905	60,00	75,00	13,00
TTH 905/1	60,00	80,00	13,00
TTH 906	63,00	78,00	6,30
TTH 907	63,00	78,00	12,50
TTH 908	65,00	80,00	13,00
TTH 909	70,00	85,00	12,50
TTH 909/1	70,00	90,00	13,00
TTH 910	75,00	90,50	6,30
TTH 911	75,00	90,00	13,00
TTH 911/1	75,00	90,00	12,50
TTH 912	80,00	95,00	12,50
TTH 913	80,00	95,00	6,30
TTH 914	82,55	98,20	13,00
TTH 915	85,00	100,00	13,00
TTH 915/1	85,00	100,00	12,50
TTH 916	85,00	100,50	6,30
TTH 917	90,00	105,00	6,30
TTH 918	90,00	105,00	13,00
TTH 918/1	90,00	105,00	12,50
TTH 919	95,00	110,00	13,00





# TTX TTX+S

**Guarnizioni per STELO  
ROD seals**

**TECNOLAN**

**www.prhseals.com**

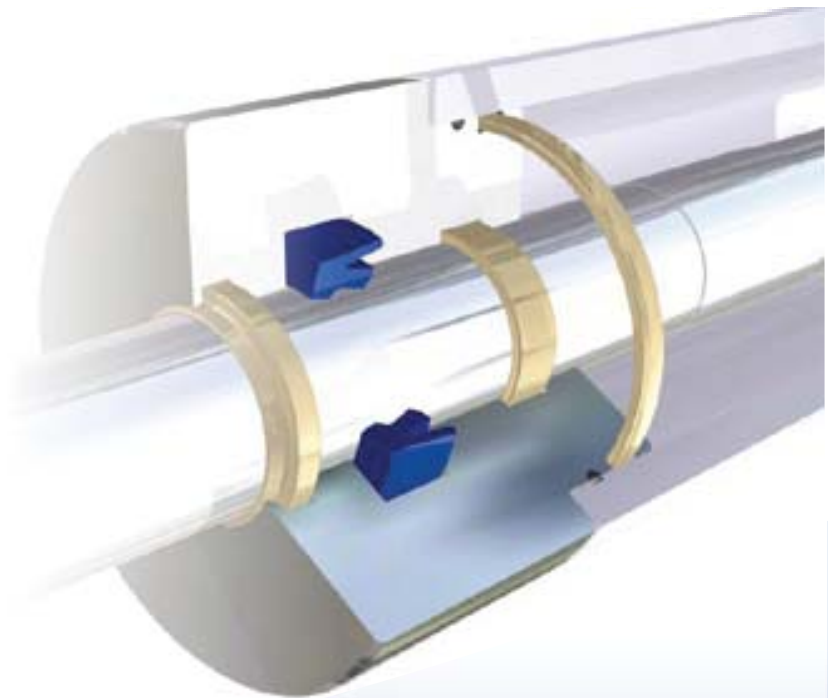
<b>Versione standard</b>		<b>Standard version</b>	
TTX	Poliuretano	TTX	Polyurethane
TTX+S	Poliuretano+POM	TTX+S	Polyurethane+POM
<b>Pressione fino a / Pressure up to</b>			
TTX 40MPa		TTX+S 50MPa	
<b>Velocità fino a / Speed up to</b>			
1.0 m/s			
<b>Temperatura / Temperature</b>			
-35°C +100°C			
<b>Applicazioni</b>		<b>Applications</b>	
Cilindri Idraulici		Hydraulic Cylinders	
Cilindri Telescopici		Telescopic Cylinders	
Carrelli Elevatori		Fork Lifts	
Cilindri per Gru		Truck Crane Cylinders	
Escavatori		Excavators	



Guarnizioni per STELO  
ROD seals

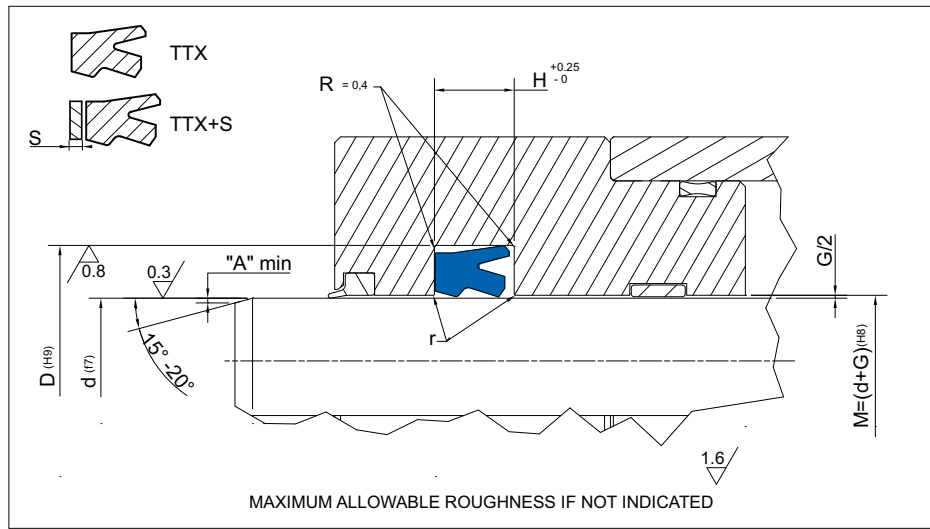
## TTX • TTX+S

82÷86



[www.prhseals.com](http://www.prhseals.com)

**PRH SEALS GROUP (INDIA)**



**Rod Seal design guidelines**

	0mm < d ≤ 50mm	50mm < d ≤ 100mm	100mm < d ≤ 150mm	d ≥ 150mm
r	remove sharp edges			
A	1 mm	2 mm	3 mm	3 mm < A ≤ 5 mm

**Operating pressure to determinate Maximum Gap Allowance: G/2**

G	Profile Dimension	> 16 MPa	> 26 MPa	> 32 MPa	> 40 MPa
	≤ 5		0.50 mm	0.40 mm	0.35 mm
> 5.0 - 7.5		0.55 mm	0.45 mm	0.40 mm	0.35 mm
> 7.5 - 12.5		0.60 mm	0.50 mm	0.45 mm	0.40 mm
15		0.65 mm	0.55 mm	0.45 mm	0.40 mm

PART NR		DIMENSIONI SEDI / Housing dimensions			
		d	D	H	H+S
TTX 1300	18-26-5,8	18,00	26,00	6,30	7,50
TTX 1300/1	20-28-5,8	20,00	28,00	6,30	7,50
TTX 1300/3	20-28-5	20,00	28,00	6,00	7,50
TTX 1300/2	22-32-7,5	22,00	32,00	8,00	9,70
TTX 1300/4	22,4-30-5	22,40	30,00	6,00	7,50
TTX 1301	25-33-5,8	25,00	33,00	6,30	7,50
TTX 1301/1	25-33-5	25,00	33,00	6,00	7,50
TTX 1301/2	25-33-6,3	25,00	33,00	7,00	8,70
TTX 1302	25-35-7,2	25,00	35,00	8,00	9,70
TTX 1302/1	28-36-5,8	28,00	36,00	6,30	7,50
TTX 1302/5	28-38-7,2	28,00	38,00	8,00	9,70
TTX 1302/2	30-38-5,8	30,00	38,00	6,30	7,50
TTX 1302/3	30-38-6,2	30,00	38,00	7,00	8,70
TTX 1302/4	30-38-8,2	30,00	38,00	9,00	10,70
TTX 1303	30-40-7,2	30,00	40,00	8,00	9,70
TTX 1303/1	30-40-6	30,00	40,00	7,00	8,70
TTX 1304	32-42-7,2	32,00	42,00	8,00	9,70
TTX 1304/1	32-40-7,2	32,00	40,00	8,00	9,70
TTX 1305/2	35-45-6	35,00	45,00	7,00	8,70
TTX 1305	35-45-7,2	35,00	45,00	8,00	9,70
TTX 1305/1	35-43-5,8	35,00	43,00	6,30	7,50
TTX 1306	36-44-5,8	36,00	44,00	6,30	7,50
TTX 1307	36-46-7,2	36,00	46,00	8,00	9,70
TTX 1307/1	40-48-5,8	40,00	48,00	6,30	7,50
TTX 1307/3	40-48-6,3	40,00	48,00	7,00	8,70
TTX 1307/2	40-50-6	40,00	50,00	7,00	8,70
TTX 1308	40-50-7,2	40,00	50,00	8,00	9,70

# PRH SEALS GROUP (INDIA)

**TECNOLAN**

Guarnizioni per STELO  
ROD seals

**TTX**  
**TTX+S**

PART NR		DIMENSIONI SEDI / Housing dimensions			
		d	D	H	H+S
TTX 1308/1	45-53-7,2	45,00	53,00	8,00	9,70
TTX 1309	45-55-7,2	45,00	55,00	8,00	9,70
TTX 1309/1	45-55-6	45,00	55,00	7,00	8,70
TTX 1310	50-60-7,2	50,00	60,00	8,00	9,70
TTX 1310/1	50-60-6	50,00	60,00	7,00	8,70
TTX 1311	50-65-9,5	50,00	65,00	10,50	12,50
TTX 1311/1	50-65-10,2	50,00	65,00	11,00	14,00
TTX 1312	50-65-11,7	50,00	65,00	12,50	15,50
TTX 1312/3	53-63-6	53,00	63,00	7,00	8,70
TTX 1312/1	55-63-8,2	55,00	63,00	9,00	10,70
TTX 1312/2	55-65-7,2	55,00	65,00	8,00	9,70
TTX 1313	55-70-8,7	55,00	70,00	9,50	12,50
TTX 1313/1	56-71-11,7	56,00	71,00	12,50	15,50
TTX 1314	56-66-7,2	56,00	66,00	8,00	9,70
TTX 1314/1	60-68-7,2	60,00	68,00	8,00	9,70
TTX 1314/3	60-70-6	60,00	70,00	7,00	8,70
TTX 1314/2	60-70-7,2	60,00	70,00	8,00	9,70
TTX 1315	60-75-8,7	60,00	75,00	9,50	12,50
TTX 1316	60-75-11,7	60,00	75,00	12,50	15,50
TTX 1316/1	61-69-7,2	61,00	69,00	8,00	9,70
TTX 1317	63-78-8,7	63,00	78,00	9,50	12,50
TTX 1317/1	63-78-10,2	63,00	78,00	11,00	14,00
TTX 1318	63-78-11,7	63,00	78,00	12,50	15,50
TTX 1318/1	65-73-8,2	65,00	73,00	9,00	10,70
TTX 1318/2	65-77-8,7	65,00	77,00	9,50	12,50
TTX 1319	65-80-8,7	65,00	80,00	9,50	12,50
TTX 1320	65-80-11,7	65,00	80,00	12,50	15,50
TTX 1321	65-85-11,7	65,00	85,00	12,50	16,00
TTX 1321/1	68-76-7,2	68,00	76,00	8,00	9,70
TTX 1321/2	70-80-6	70,00	80,00	7,00	8,70
TTX 1322	70-80-7,2	70,00	80,00	8,00	9,70
TTX 1322/1	70-82-8,7	70,00	82,00	9,50	12,50
TTX 1323	70-85-8,7	70,00	85,00	9,50	12,50
TTX 1324	70-85-11,7	70,00	85,00	12,50	15,50
TTX 1325	70-90-11,7	70,00	90,00	12,50	16,00
TTX 1325/1	75-83-7,2	75,00	83,00	8,00	9,70
TTX 1325/3	75-85-6	75,00	85,00	7,00	8,70
TTX 1325/2	75-87-8,7	75,00	87,00	9,50	12,50
TTX 1326	75-90-8,7	75,00	90,00	9,50	12,50
TTX 1327	75-90-11,7	75,00	90,00	12,50	15,50
TTX 1328	75-95-11,7	75,00	95,00	12,50	16,00
TTX 1328/1	80-90-6	80,00	90,00	7,00	8,70
TTX 1329	80-90-7,2	80,00	90,00	8,00	9,70
TTX 1329/1	80-92-8,7	80,00	92,00	9,50	12,50
TTX 1330	80-95-8,7	80,00	95,00	9,50	12,50
TTX 1331	80-95-11,7	80,00	95,00	12,50	15,50
TTX 1332/1	85-93-8,2	85,00	93,00	9,00	10,70
TTX 1332	85-95-8,7	85,00	95,00	9,50	12,50
TTX 1332/2	85-97-8,7	85,00	97,00	9,50	12,50
TTX 1333	85-100-8,7	85,00	100,00	9,50	12,50
TTX 1334	85-100-11,7	85,00	100,00	12,50	15,50
TTX 1335	85-105-11,7	85,00	105,00	12,50	16,00



www.prhseals.com





[www.prhseals.com](http://www.prhseals.com)



## GIP

Guarnizioni per STELO  
ROD seals

## TECNOLAN

[www.prhseals.com](http://www.prhseals.com)

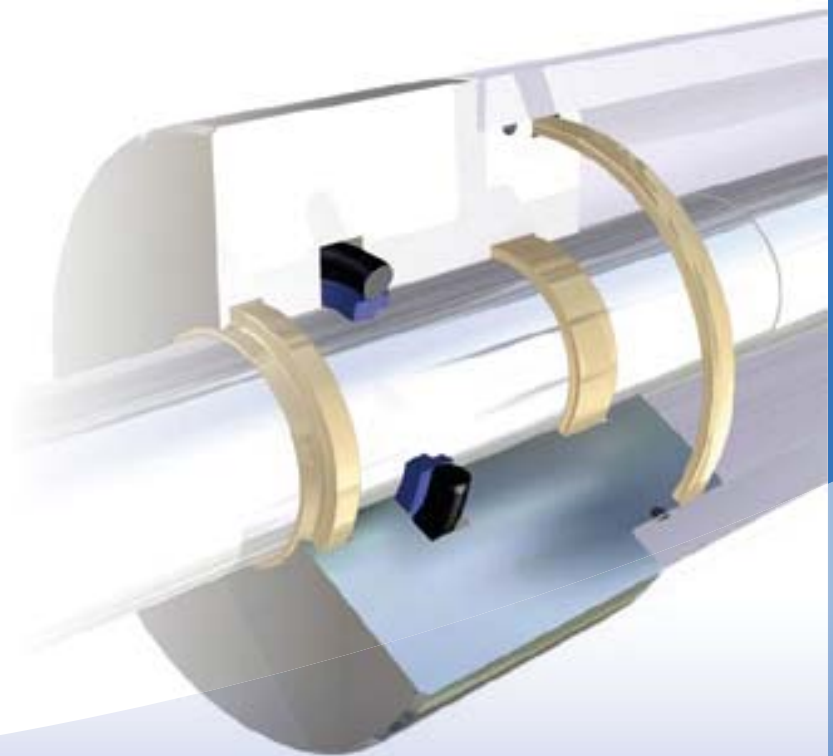
<b>Versione standard</b>	<b>Standard version</b>
Poliuretano +OR NBR	Polyurethane+OR NBR
<b>Versioni Alternative</b>	<b>Alternative Versions</b>
Poliuretano basse temp.+OR NBR Basse temp.	Polyurethane Low temp.+OR NBR Low temp
<b>Pressione fino a / Pressure up to</b>	
25 MPa	
<b>Velocità fino a / Speed up to</b>	
0.5 m/s	
<b>Temperatura / Temperature</b>	
-35°C +100°C	-45°C +110°C PN 522
<b>Cilindri per applicazioni pesanti / Heavy duty applications</b>	
-35°C +100°C PB 546	
<b>Applicazioni</b>	<b>Applications</b>
Cilindri speciali Cilindri per leggera e medie applicazioni	Special Cylinders Cylinders for Light and Medium duty applications



Guarnizioni per STELO  
ROD seals

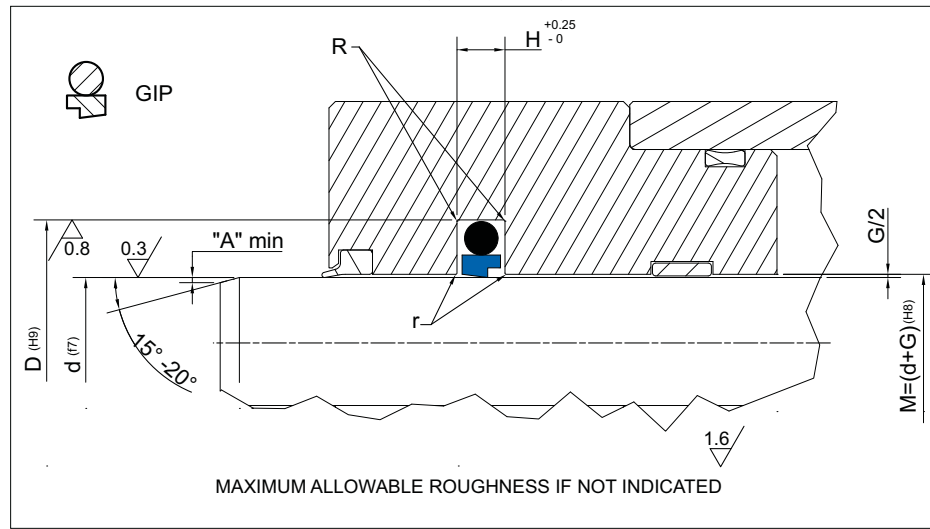
## GIP

88÷90



[www.prhseals.com](http://www.prhseals.com)

**PRH SEALS GROUP (INDIA)**



**Rod Seal design guidelines**

	0mm < d ≤ 50mm	50mm < d ≤ 100mm	100mm < d ≤ 150mm	d ≥ 150mm
R	max 0.30 mm	max 0.60 mm	max 0.80 mm	max 1 mm
r	remove sharp edges			
A	1 mm	2 mm	3 mm	3 mm < A ≤ 5 mm

**Operating pressure to determinate Maximum Gap Allowance**

G	Profile Dimension	> 16 MPa	> 26 MPa
	≤ 5	0.50 mm	0.40 mm
> 5.0 – 7.5	0.55 mm	0.45 mm	
> 7.5 – 12.5	0.60 mm	0.50 mm	
15	0.65 mm	0.55 mm	

PART NR	DIMENSIONI SEDI / Housing dimensions			
	d	D	H	OR
GIP 0400	40,00	55,10	6,30	328
GIP 0450	45,00	60,10	6,30	329
GIP 0500	50,00	65,10	6,30	331
GIP 0550	55,00	70,10	6,30	332
GIP 0600	60,00	75,10	6,30	334
GIP 0630	63,00	78,00	6,30	335
GIP 0650	65,00	80,10	6,30	335
GIP 0700	70,00	85,10	6,30	337
GIP 0750	75,00	90,10	6,30	339
GIP 0800	80,00	95,10	6,30	340
GIP 0850	85,00	100,10	6,30	342
GIP 0900	90,00	105,10	6,30	343
GIP 0950	95,00	110,10	6,30	345
GIP 1000	100,00	115,10	6,30	346
GIP 1100	110,00	125,10	6,30	350
GIP 1200	120,00	135,10	6,30	353
GIP 1250	125,00	140,10	6,30	354
GIP 1300	130,00	145,10	6,30	356
GIP 1400	140,00	155,10	6,30	359
GIP 1500	150,00	165,10	6,30	361
GIP 1600	160,00	175,10	6,30	363
GIP 1700	170,00	185,10	6,30	365
GIP 1800	180,00	195,10	6,30	366
GIP 1900	190,00	205,10	6,30	368
GIP 2000	200,00	220,50	8,10	445



[www.prhseals.com](http://www.prhseals.com)



## TLI

Guarnizioni per STELO  
ROD seals

## TECNOTEX

[www.prhseals.com](http://www.prhseals.com)

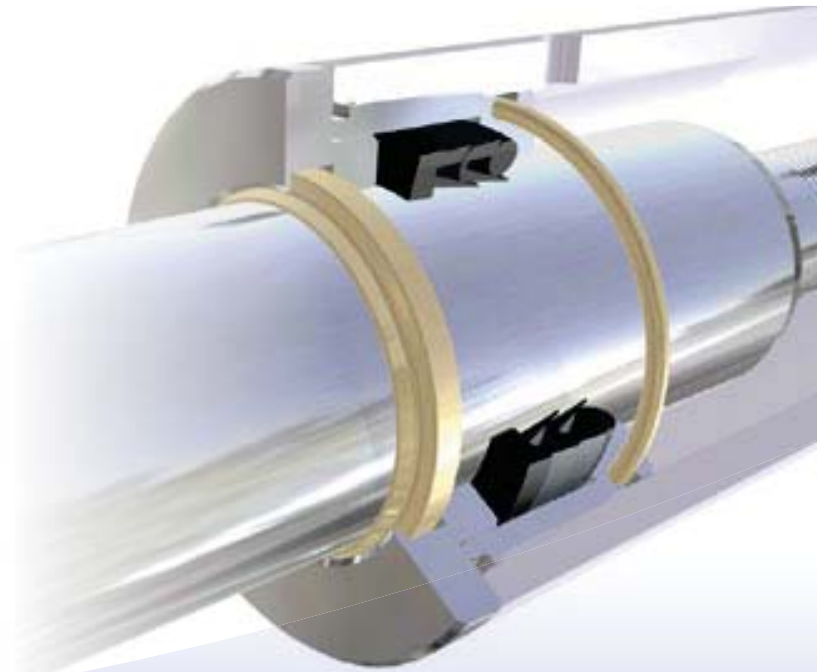
<b>Versione standard</b>	<b>Standard version</b>
Gommatela	NBR/Cotton Fabric
<b>Versioni Alternative</b>	<b>Alternative Versions</b>
Gommatela FKM	NBR/Cotton Fabric FKM
<b>Pressione fino a / Pressure up to</b>	
50 MPa	
<b>Velocità fino a / Speed up to</b>	
1 m/s	
<b>Temperatura / Temperature</b>	
-30°C +110°C	-20°C +200°C FKM
<b>Applicazioni</b>	<b>Applications</b>
Presse Siderurgia Acciaerie Cesoie Idrauliche	Presses Steel Mills Continuous casting Hydraulic Scrap shears



Guarnizioni per STELO  
ROD seals

## TLI

92÷95



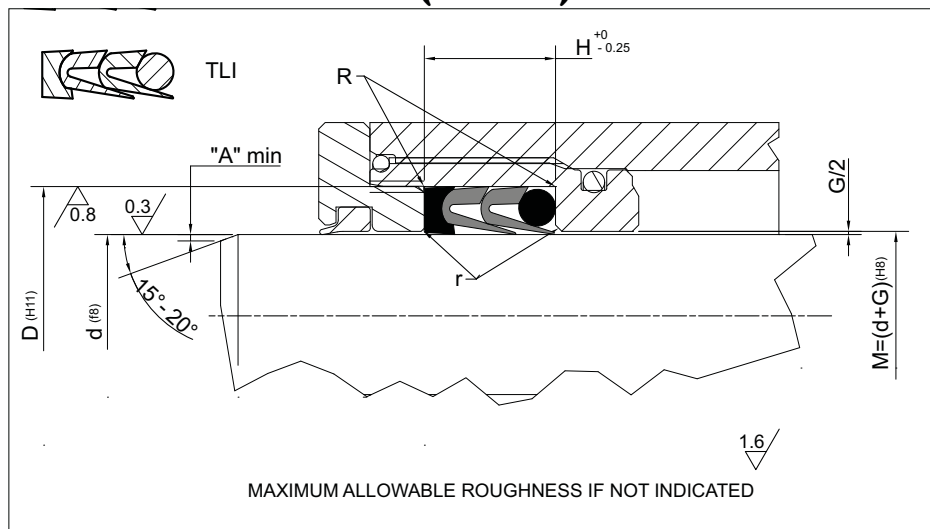
[www.prhseals.com](http://www.prhseals.com)

# PRH SEALS GROUP (INDIA)

**TECNOTEX**

Guarnizioni per STELO  
ROD seals

**TLI**



### Rod Seal design guidelines

	0mm < d ≤ 50mm	50mm < d ≤ 100mm	100mm < d ≤ 150mm	d ≥ 150mm
R	max 0.30 mm	max 0.60 mm	max 0.80 mm	max 1 mm
r	remove sharp edges			
A	1 mm	2 mm	3 mm	3 mm < A ≤ 5 mm

### Operating pressure to determinate Maximum Gap Allowance: G/2

G	Profile Dimension	> 16 MPa	> 26 MPa	> 32 MPa	> 40 MPa
	≤ 5		0.50 mm	0.40 mm	0.35 mm
> 5.0 – 7.5		0.55 mm	0.45 mm	0.40 mm	0.35 mm
> 7.5 – 12.5		0.60 mm	0.50 mm	0.45 mm	0.40 mm
15		0.65 mm	0.55 mm	0.45 mm	0.40 mm

PART NR		DIMENSIONI SEDI / Housing dimensions		
		d	D	H
TLI 6001	078031	8,00	20,00	23,50
TLI 6002	086039	10,00	22,00	23,50
TLI 6003	094047	12,00	24,00	23,50
TLI 6004	102055	14,00	26,00	23,50
TLI 6005	106059	15,00	27,00	23,50
TLI 6006	110052	16,00	28,00	23,50
TLI 6007	118070	18,00	30,00	23,50
TLI 6008	125078	20,00	32,00	23,50
TLI 6009	133096	22,00	34,00	23,50
TLI 6010	157098	25,00	40,00	28,40
TLI 6011	169110	28,00	43,00	28,40
TLI 6012	177118	30,00	45,00	28,40
TLI 6013	165125	32,00	47,00	28,40
TLI 6014	196137	35,00	50,00	28,40
TLI 6015	200141	36,00	51,00	28,40
TLI 6016	216157	40,00	55,00	28,40
TLI 6017	224165	42,00	57,00	28,40
TLI 6018	255177	45,00	65,00	37,50
TLI 6019	275195	50,00	70,00	37,50
TLI 6020	295216	55,00	75,00	37,50
TLI 6021	299220	56,00	76,00	37,50
TLI 6022	314236	60,00	80,00	37,50
TLI 6023	326248	63,00	83,00	37,50
TLI 6024	334255	65,00	85,00	37,50
TLI 6025	354275	70,00	90,00	37,50
TLI 6026	374295	75,00	95,00	37,50
TLI 6027	393314	80,00	100,00	37,50

**www.prhseals.com**



# GUA-RING 02

**Guarnizioni per STELO  
ROD seals**

## TEF-RING



<b>Versione standard</b>	<b>Standard version</b>
PTFE caricato vetro + OR NBR	Glass filled PTFE + OR NBR
<b>Versioni Alternative</b>	<b>Alternative Versions</b>
PTFE caricato vetro + OR FKM	Glass filled PTFE + OR FKM
<b>Pressione fino a / Pressure up to</b>	
50 MPa	
<b>Velocità fino a / Speed up to</b>	
12 m/s	
<b>Temperatura / Temperature</b>	
-30°C +100°C	-10°C +200°C FKM
<b>Applicazioni</b>	<b>Applications</b>
Presse Cilindri Idraulici Accumulatori Idraulici	Presses Hydraulic Cylinders Hydraulic Accumulators

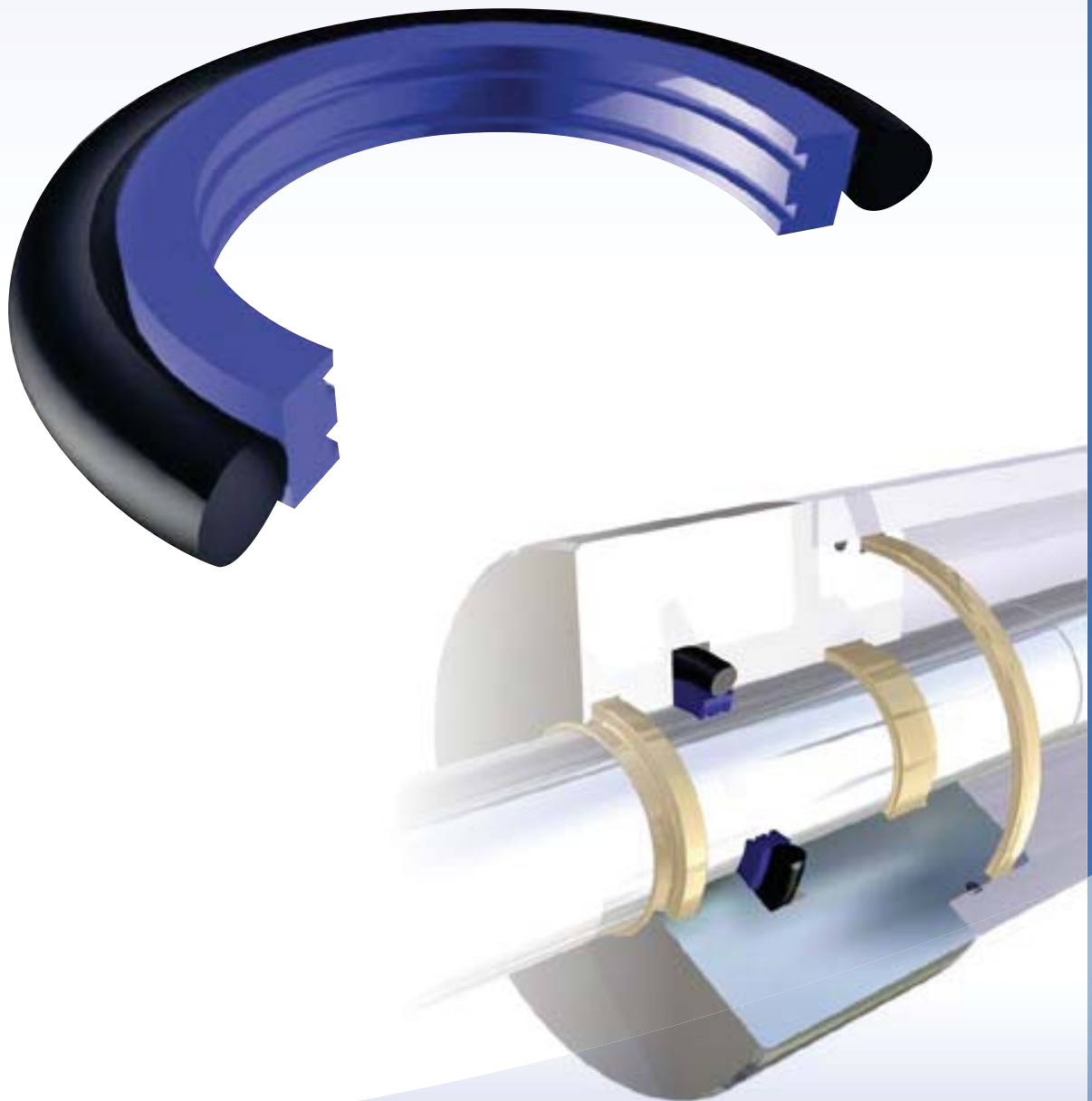
**www.prhseals.com**



Guarnizioni per STELO  
ROD seals

# GUA-RING 02

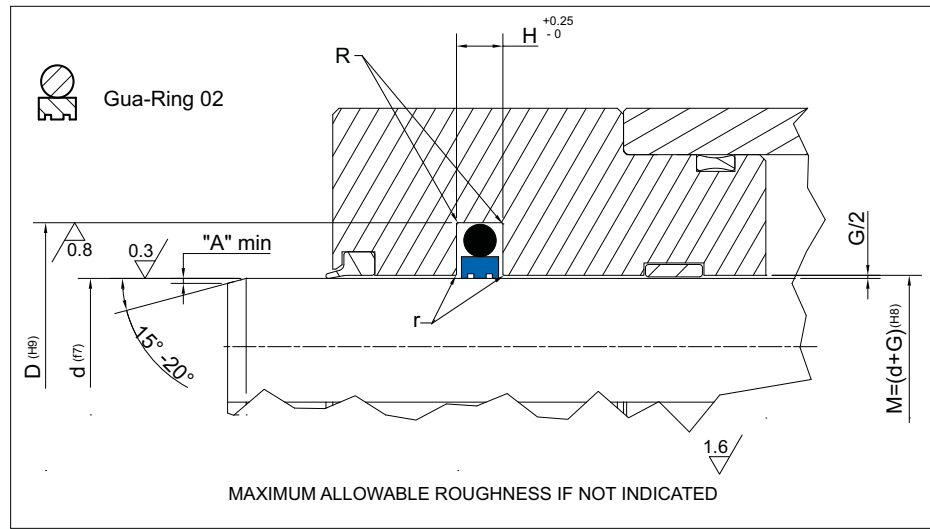
96÷100



[www.prhseals.com](http://www.prhseals.com)



## PRH SEALS GROUP (INDIA)



### Rod Seal design guidelines

	0mm < d ≤ 50mm	50mm < d ≤ 100mm	100mm < d ≤ 150mm	d ≥ 150mm
R	max 0.30 mm	max 0.60 mm	max 0.80 mm	max 1 mm
r	remove sharp edges			
A	1 mm	2 mm	3 mm	3 mm < A ≤ 5 mm

### Operating pressure to determinate Maximum Gap Allowance: G/2

G	Profile Dimension	> 16 MPa	> 26 MPa	> 32 MPa	> 40 MPa
	≤ 5		0.50 mm	0.40 mm	0.35 mm
> 5.0 – 7.5		0.55 mm	0.45 mm	0.40 mm	0.35 mm
> 7.5 – 12.5		0.60 mm	0.50 mm	0.45 mm	0.40 mm
15		0.65 mm	0.55 mm	0.45 mm	0.40 mm

PART NR	DIMENSIONI SEDI / Housing dimensions			
	d	D	A	OR
02.007	7,00	11,00	1,95	011
02.008	8,00	12,00	1,95	012
02.010	10,00	14,00	1,95	013
02.012	12,00	16,00	1,95	014
02.014	14,00	18,00	1,95	016
02.015	15,00	19,00	1,95	016
02.016	16,00	20,00	2,80	115
02.018	18,00	24,00	2,80	116
02.020	20,00	26,00	2,80	118
02.022	22,00	28,00	2,80	119
02.025	25,00	31,00	2,80	121
02.028	28,00	36,00	3,75	217
02.030	30,00	38,00	3,75	218
02.032	32,00	40,00	3,75	220
02.033	33,00	41,00	3,75	220
02.035	35,00	43,00	3,75	221
02.036	36,00	44,00	3,75	222
02.038	38,00	46,00	3,75	223
02.040	40,00	48,00	3,75	223
02.042	42,00	50,00	3,75	224
02.045	45,00	53,00	3,75	225
02.048	48,00	54,00	3,75	226
02.050	50,00	62,50	5,50	330
02.052	52,00	64,50	5,50	330
02.055	55,00	67,50	5,50	331
02.058	58,00	70,50	5,50	332
02.060	60,00	72,50	5,50	333

# PRH SEALS GROUP (INDIA)

PART NR	DIMENSIONI SEDI / Housing dimensions			
	d	D	A	OR
02.063	63,00	75,50	5,50	334
02.065	65,00	77,50	5,50	334
02.068	68,00	80,50	5,50	335
02.070	70,00	82,50	5,50	336
02.072	72,00	84,50	5,50	337
02.075	75,00	87,50	5,50	338
02.078	78,00	90,50	5,50	339
02.080	80,00	92,50	5,50	339
02.085	85,00	97,50	5,50	341
02.090	90,00	102,50	5,50	342
02.092	92,00	104,50	5,50	343
02.095	95,00	107,50	5,50	344
02.100	100,00	112,50	5,50	345
02.104	104,00	116,50	5,50	347
02.105	105,00	117,50	5,50	347
02.108	108,00	120,50	5,50	348
02.110	110,00	122,50	5,50	349
02.115	115,00	127,50	7,45	427
02.120	120,00	132,50	7,45	428
02.125	125,00	137,50	7,45	430
02.130	130,00	145,80	7,45	431
02.135	135,00	150,80	7,45	433
02.140	140,00	155,80	7,45	434
02.145	145,00	160,80	7,45	436
02.150	150,00	165,80	7,45	437
02.155	155,00	170,80	7,45	438
02.160	160,00	175,80	7,45	439
02.165	165,00	180,80	7,45	440
02.170	170,00	185,80	7,45	440
02.180	180,00	195,80	7,45	442
02.185	185,00	200,80	7,45	443
02.190	190,00	205,80	7,45	443
02.200	200,00	215,80	7,45	445
02.210	210,00	225,80	7,45	446
02.212	212,00	227,80	7,45	446
02.215	215,00	230,80	7,45	676
02.220	220,00	235,80	7,45	676
02.222	222,00	237,80	7,45	447
02.225	225,00	240,80	7,45	447
02.230	230,00	245,80	7,45	678
02.240	240,00	255,80	7,45	680
02.250	250,00	265,80	7,45	449
02.260	260,00	275,80	7,45	450
02.262	262,00	277,80	7,45	450
02.270	270,00	285,80	7,45	684
02.280	280,00	295,80	7,45	686
02.285	285,00	300,80	7,45	452
02.290	290,00	305,80	7,45	452
02.295	295,00	310,80	7,45	688
02.300	300,00	315,80	7,45	453
02.320	320,00	335,80	7,45	454
02.330	330,00	345,80	7,45	455

## TEF-RING

Guarnizioni per STELO  
ROD seals

# GUA- RING 02



www.prhseals.com





[www.prhseals.com](http://www.prhseals.com)

# GUA-RING GIR



**Guarnizioni** per STELO  
**ROD seals**

## TEF-RING

**www.prhseals.com**

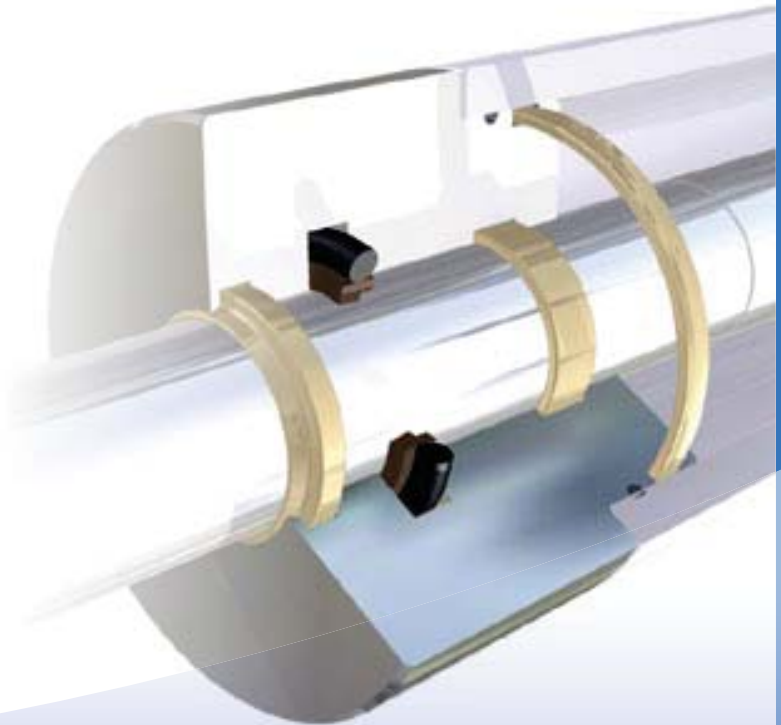
<b>Versione standard</b>		<b>Standard version</b>	
PTFE caricato bronzo+OR NBR		Bronze filled PTFE+OR NBR	
<b>Versioni Alternative</b>		<b>Alternative Versions</b>	
PTFE caricato bronzo+OR FKM		Bronze filled PTFE+OR FKM	
PTFE caricato bronzo+OR NBR basse temp.		Bronze filled PTFE+OR NBR low temp.	
<b>Pressione fino a / Pressure up to</b>			
50 MPa			
<b>Velocità fino a / Speed up to</b>			
15 m/s			
<b>Temperatura / Temperature</b>			
-30°C +100°C	-10°C +200°C FKM	-50°C +100°C TDS 108	
<b>Applicazioni</b>		<b>Applications</b>	
Cilindri speciali		Special Cylinders	
Idraulica Mobile		Mobile Hydraulics	
Macchine movimento terra		Earth moving machinery	
Presse		Presses	
Macchine stampaggio iniezione		Injection moulding machines	



Guarnizioni per STELO  
ROD seals

# GUA-RING GIR

102÷106



[www.prhseals.com](http://www.prhseals.com)

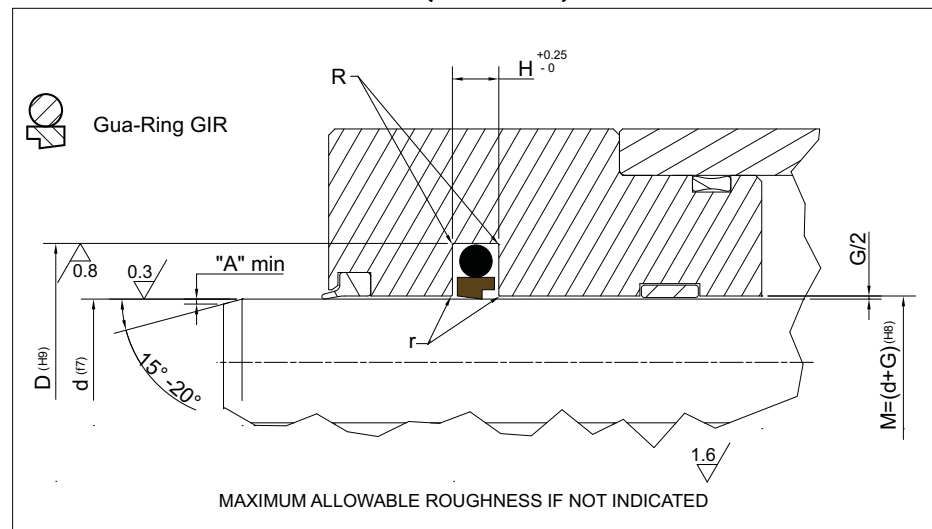
# TEF-RING

Guarnizioni per STELO  
ROD seals

# GUA-RING GIR



## PRH SEALS GROUP (INDIA)



### Rod Seal design guidelines

R	0mm < d ≤ 50mm max 0.80 mm	50mm < d ≤ 100mm max 1,20 mm	100mm < d ≤ 190mm max 2.00 mm
r	remove sharp edges		
A	1 mm	2 mm	3 mm < A ≤ 5 mm

### Operating pressure to determinate Maximum Gap Allowance: G/2

G	Profile Dimension	> 16 MPa	> 26 MPa	> 32 MPa	> 40 MPa
	≤ 5		0.50 mm	0.40 mm	0.35 mm
> 5.0 – 7.5		0.55 mm	0.45 mm	0.40 mm	0.35 mm
> 7.5 – 12.5		0.60 mm	0.50 mm	0.45 mm	0.40 mm
15		0.65 mm	0.55 mm	0.45 mm	0.40 mm

PART NR	DIMENSIONI SEDI / Housing dimensions			
	d	D	H	OR
GIR 0040	4,00	8,90	2,20	010
GIR 0050	5,00	9,90	2,20	010
GIR 0070	7,00	11,90	2,20	012
GIR 0080	8,00	15,30	3,20	111
GIR 0100	10,00	17,30	3,20	112
GIR 0120	12,00	19,30	3,20	114
GIR 0140	14,00	21,30	3,20	115
GIR 0150	15,00	22,30	3,20	116
GIR 0160	16,00	23,30	3,20	116
GIR 0180	18,00	25,30	3,20	117
GIR 0200	20,00	30,70	4,20	214
GIR 0220	22,00	32,70	4,20	215
GIR 0240	24,00	34,70	4,20	216
GIR 0250	25,00	35,70	4,20	217
GIR 0260	26,00	36,70	4,20	218
GIR 0280	28,00	38,70	4,20	219
GIR 0300	30,00	40,70	4,20	220
GIR 0320	32,00	42,70	4,20	221
GIR 0350	35,00	45,70	4,20	222
GIR 0360	36,00	46,70	4,20	223
GIR 0370	37,00	47,70	4,20	223
GIR 0380	38,00	53,10	6,30	327
GIR 0400	40,00	55,10	6,30	328
GIR 0420	42,00	57,10	6,30	328
GIR 0450	45,00	60,10	6,30	329
GIR 0480	48,00	63,10	6,30	330
GIR 0500	50,00	65,10	6,30	331

www.prhseals.com

# PRH SEALS GROUP (INDIA)

PART NR	DIMENSIONI SEDI / Housing dimensions			
	d	D	H	OR
GIR 0520	52,00	67,10	6,30	331
GIR 0550	55,00	70,10	6,30	332
GIR 0560	56,00	71,50	6,30	333
GIR 0600	60,00	75,10	6,30	334
GIR 0630	63,00	78,10	6,30	335
GIR 0650	65,00	80,10	6,30	335
GIR 0700	70,00	85,10	6,30	337
GIR 0750	75,00	90,10	6,30	339
GIR 0800	80,00	95,10	6,30	340
GIR 0850	85,00	100,10	6,30	342
GIR 0900	90,00	105,10	6,30	343
GIR 0950	95,00	110,10	6,30	345
GIR 1000	100,00	115,10	6,30	346
GIR 1100	110,00	125,10	6,30	350
GIR 1200	120,00	135,10	6,30	353
GIR 1250	125,00	140,10	6,30	354
GIR 1300	130,00	145,10	6,30	356
GIR 1400	140,00	155,10	6,30	359
GIR 1500	150,00	165,10	6,30	361
GIR 1550	155,00	170,10	6,30	362
GIR 1600	160,00	175,10	6,30	363
GIR 1700	170,00	185,10	6,30	365
GIR 1750	175,00	190,10	6,30	365
GIR 1800	180,00	195,10	6,30	366
GIR 1850	185,00	200,10	6,30	367
GIR 1900	190,00	205,10	6,30	368
GIR 1950	195,00	210,10	6,30	368
GIR 2000	200,00	220,50	8,10	445
GIR 2100	210,00	230,50	8,10	446
GIR 2200	220,00	240,50	8,10	447
GIR 2250	225,00	245,50	8,10	447
GIR 2300	230,00	250,50	8,10	448
GIR 2400	240,00	260,50	8,10	448
GIR 2500	250,00	270,50	8,10	449
GIR 2600	260,00	284,00	8,10	450
GIR 2700	270,00	294,00	8,10	451
GIR 2800	280,00	304,00	8,10	452
GIR 2900	290,00	314,00	8,10	453
GIR 3000	300,00	324,00	8,10	454
GIR 3100	310,00	334,00	8,10	454
GIR 3200	320,00	344,00	8,10	455
GIR 3300	330,00	354,00	8,10	456
GIR 3400	340,00	364,00	8,10	457
GIR 3500	350,00	374,00	8,10	458
GIR 3600	360,00	384,00	8,10	458
GIR 3700	370,00	394,00	8,10	459
GIR 3800	380,00	404,00	8,10	460
GIR 3900	390,00	414,00	8,10	461
GIR 4000	400,00	424,00	8,10	462
GIR 4200	420,00	444,00	8,10	463
GIR 4400	440,00	464,00	8,10	464
GIR 4500	450,00	474,00	8,10	465

## TEF-RING

Guarnizioni per STELO  
ROD seals

# GUA- RING GIR



www.prhseals.com





[www.prhseals.com](http://www.prhseals.com)



# **BUFFER**

**Guarnizioni per STELO  
ROD seals**

**TECNOLAN**

**www.prhseals.com**

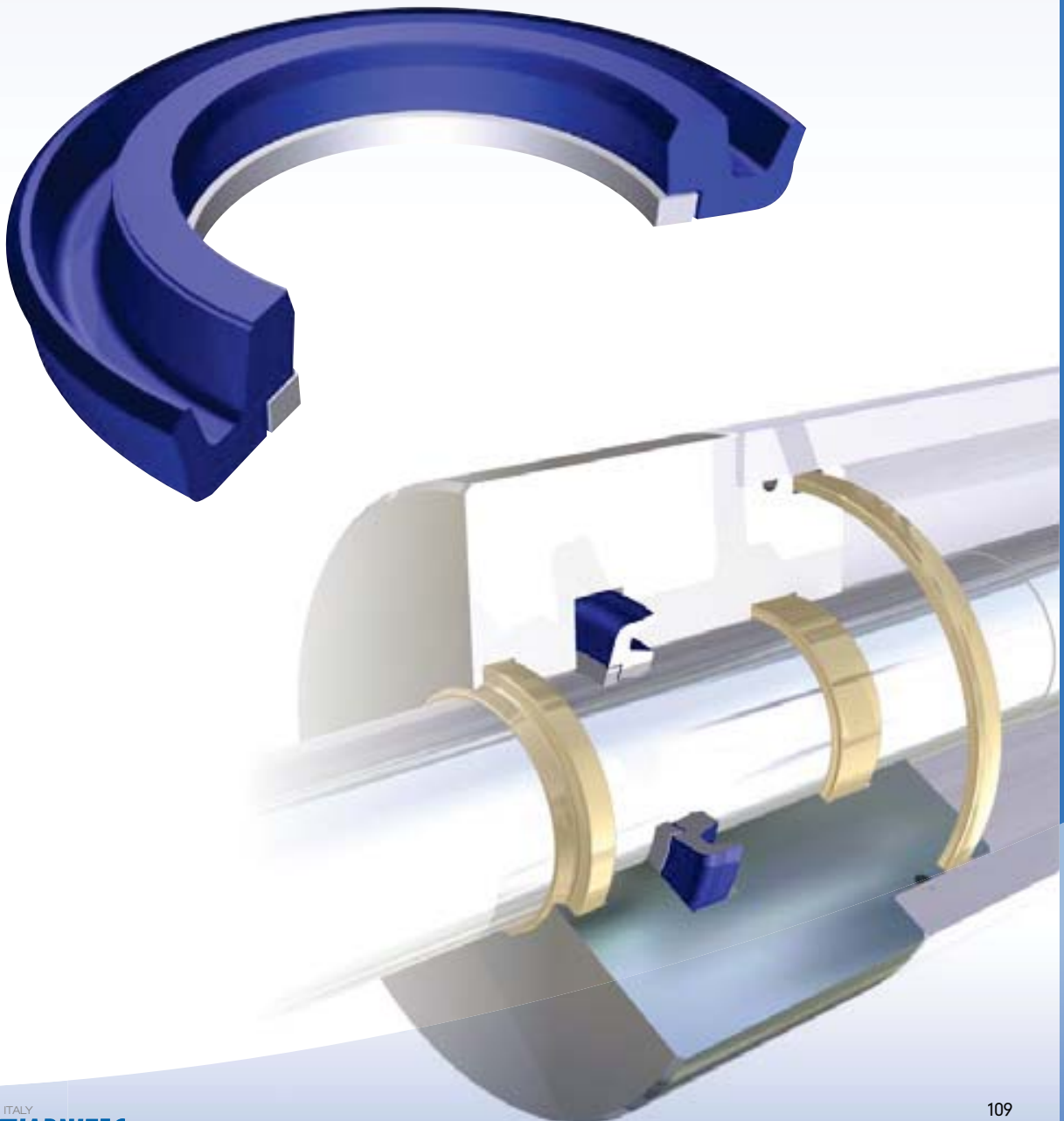
<b>Versione standard</b>	<b>Standard version</b>
Poliuretano+POM	Polyurethane+POM
<b>Versioni Alternative</b>	<b>Alternative Versions</b>
Poliuretano Basse Temp.+POM	Low Temp. Polyurethane+POM
<b>Pressione fino a / Pressure up to</b>	
40 MPa	
<b>Velocità fino a / Speed up to</b>	
0.8 m/s	
<b>Temperatura / Temperature</b>	
-35°C +100°C	-45°C +110°C PN 522
<b>Applicazioni</b>	<b>Applications</b>
Sponde Idrauliche Idrauliche Mobile Macchine movimento terra Cilindri per applicazioni Medie e Pesanti	Tail Lifts Mobile Hydraulics Earthmoving Machinery Medium and Heavy duty applications



Guarnizioni per STELO  
ROD seals

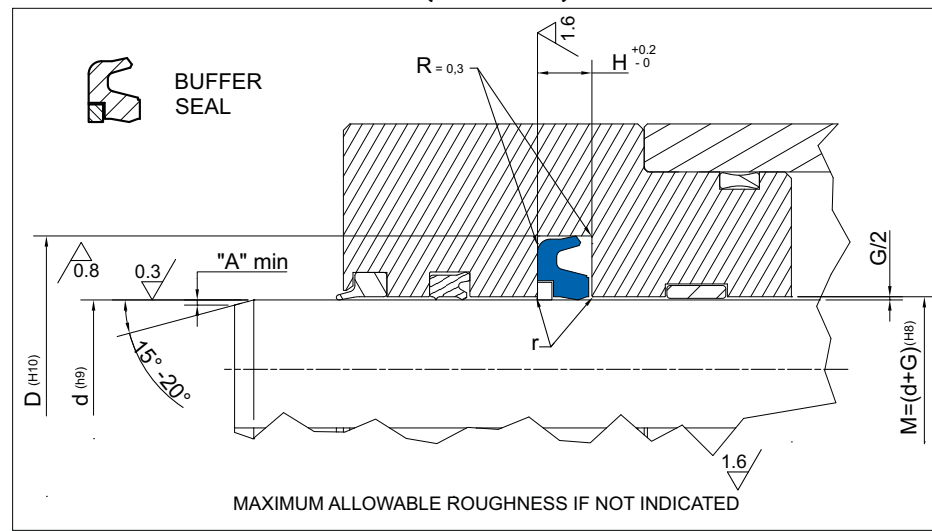
## BUFFER

108÷110



[www.prhseals.com](http://www.prhseals.com)

### PRH SEALS GROUP (INDIA)



#### Rod Seal design guidelines

	0mm < d ≤ 50mm	50mm < d ≤ 100mm	100mm < d ≤ 150mm	d ≥ 150mm
r	remove sharp edges			
A	1 mm	2 mm	3 mm	3 mm < A ≤ 5 mm

#### Operating pressure to determinate Maximum Gap Allowance: G/2

G	Profile Dimension	> 16 MPa	> 26 MPa	> 32 MPa	> 40 MPa
	≤ 5		0.50 mm	0.40 mm	0.35 mm
> 5.0 – 7.5		0.55 mm	0.45 mm	0.40 mm	0.35 mm
> 7.5 – 12.5		0.60 mm	0.50 mm	0.45 mm	0.40 mm
15		0.65 mm	0.55 mm	0.45 mm	0.40 mm



PART NR	DIMENSIONI SEDI / Housing dimensions		
	d	D	H
BUF 40	40,00	55,50	6,30
BUF 45	45,00	60,50	6,30
BUF 50	50,00	65,50	6,30
BUF 55	55,00	70,50	6,30
BUF 56	56,00	71,50	6,30
BUF 60	60,00	75,50	6,30
BUF 63	63,00	78,50	6,30
BUF 65	65,00	80,40	6,30
BUF 70	70,00	85,50	6,30
BUF 75	75,00	90,50	6,30
BUF 80	80,00	95,50	6,30
BUF 85	85,00	100,50	6,30
BUF 90	90,00	105,50	6,30
BUF 95	95,00	110,50	6,30
BUF 100	100,00	115,50	6,30
BUF 106	106,00	121,50	6,30
BUF 110	110,00	125,50	6,30
BUF 115	115,00	130,50	6,30
BUF 120	120,00	135,50	6,30
BUF 125	125,00	140,50	6,30
BUF 140	140,00	155,50	6,30
BUF 150	150,00	165,50	6,30
BUF 170	170,00	185,50	6,30
BUF 180	180,00	195,50	6,30
BUF 200	200,00	220,50	8,10