

## TDE

Guarnizioni per PISTONE  
PISTON seals

### TECNOTEX



Versione standard		Standard version	
Elemento di tenuta	Gommatela POM	Sealing Ring	NBR+Cotton Fabric
Anelli di Guida	POM	Guide Ring	POM
Versioni Alternative		Alternative Versions	
Elemento di tenuta	Gommatela FKM	Sealing Ring	NBR+Cotton Fabric FKM
Anelli di Guida	POM	Guide ring	POM
Pressione fino a / Pressure up to			
50 MPa			
Velocità fino a / Speed up to			
0.5 m/s			
Temperatura / Temperature			
-30°C +110°C		-20°C +200°C FKM	
Applicazioni		Applications	
Cilindri per Miniera		Mining Cylinders	
Presse		Presses	
Siderurgia		Steel Mills	
Cilindri per applicazioni Pesanti		Heavy duty applications	

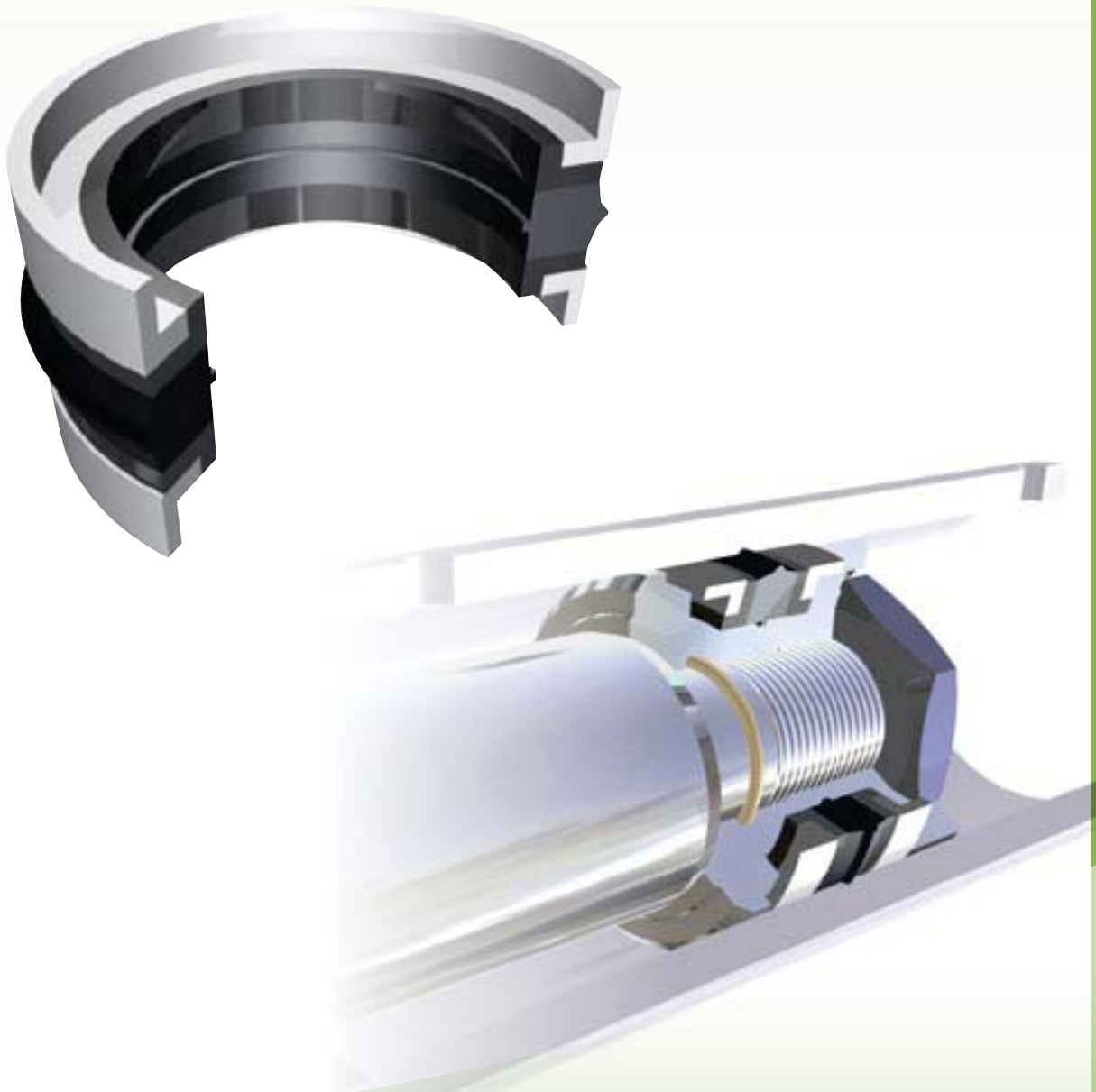
[www.prhseals.com](http://www.prhseals.com)



Guarnizioni per PISTONE  
PISTON seals

## TDE

134÷137



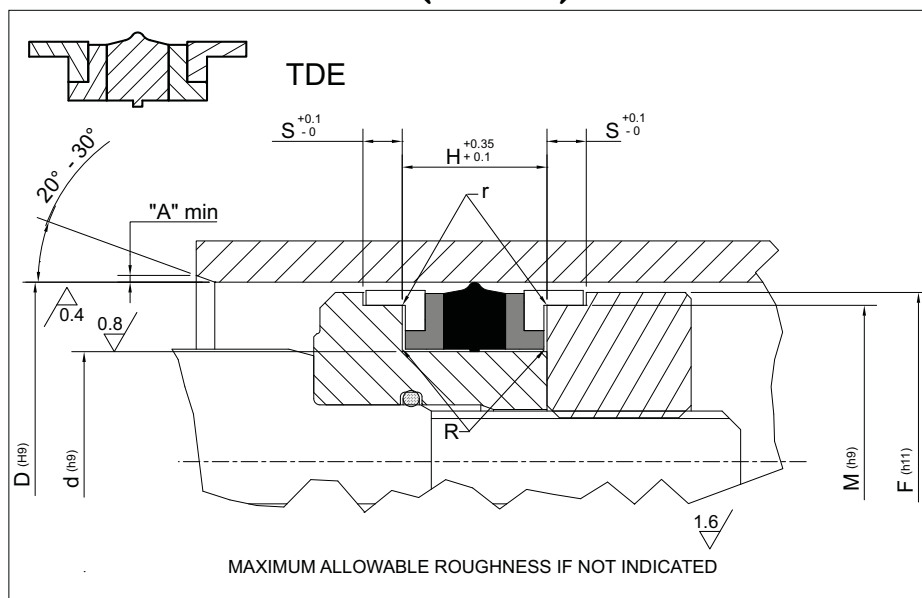
[www.prhseals.com](http://www.prhseals.com)

# PRH SEALS GROUP (INDIA)

**TECNOTEX**

Guarnizioni per PISTONE  
PISTON seals

**TDE**



### Piston Seal design guidelines

	$d \leq 100\text{mm}$		$d > 100\text{mm}$	
R	max 0.40 mm		max 0.80 mm	
r	0,2 mm			
A	1 mm	2 mm	3 mm	3 mm < A ≤ 5 mm

PART NR		DIMENSIONI SEDI / Housing dimensions					
		D	d	H	S	M	F
TDE 1000	098047	25,00	12,00	12,40	6,35	21,45	24,00
TDE 1001	118066	30,00	17,00	15,40	6,35	26,50	29,00
TDE 1002	137086	35,00	22,00	15,40	6,35	31,40	33,70
TDE 1003	157094	40,00	24,00	18,40	6,35	35,40	38,70
TDE 1004	177114	45,00	29,00	18,40	6,35	40,40	43,70
TDE 1004/1	196118	50,00	30,00	25,40	6,35	44,30	48,30
TDE 1005	196133	50,00	34,00	18,40	6,35	45,40	48,70
TDE 1006	216153	55,00	39,00	18,40	6,35	50,40	53,70
TDE 1007	236173/1	60,00	44,00	18,50	6,35	55,40	58,70
TDE 1007/1	236173/2	60,00	44,00	20,00	6,35	55,40	58,70
TDE 1008	248185	63,00	47,00	19,40	6,35	58,40	61,65
TDE 1009	255196	65,00	50,00	18,40	6,35	60,40	63,70
TDE 1010	275196	70,00	50,00	22,40	6,35	64,20	68,30
TDE 1011	295216	75,00	55,00	22,40	6,35	69,20	73,30
TDE 1012	295220	75,00	56,00	24,40	6,35	69,20	73,30
TDE 1012/1	300225	76,20	57,15	22,40	6,35	70,50	74,50
TDE 1013	314236	80,00	60,00	22,40	6,35	74,20	78,30
TDE 1014	326248	83,00	63,00	22,40	6,35	76,16	81,30
TDE 1015	334255	85,00	65,00	22,40	6,35	79,20	83,35
TDE 1016	354275	90,00	70,00	22,40	6,35	84,15	88,30
TDE 1016/1	354275/1	90,00	70,00	25,40	6,35	84,15	88,30
TDE 1017	374295	95,00	75,00	22,40	6,35	89,15	93,30
TDE 1018	393295	100,00	75,00	22,40	6,35	93,15	98,05
TDE 1019	393314	100,00	80,00	25,40	6,35	94,15	98,31
TDE 1019/1	400325	101,60	82,55	24,21	6,35	95,78	99,90
TDE 1020	413314	105,00	80,00	22,40	6,35	98,10	103,00
TDE 1021	433334/1	110,00	85,00	22,40	6,35	103,10	108,00

