



TGO

Guarnizioni per STELO
ROD seals

TECNOTEX

www.prhseals.com

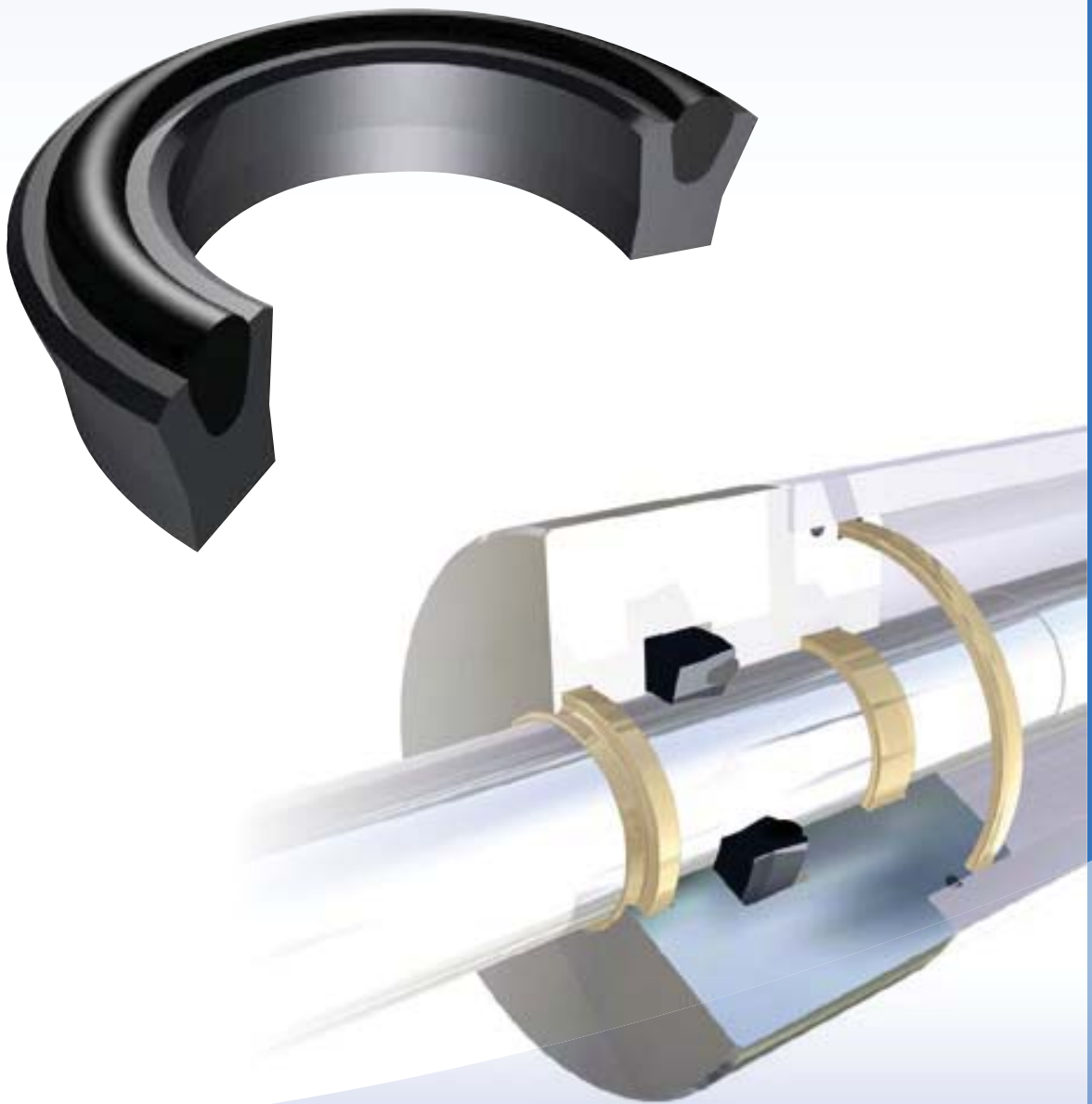
Versione standard	Standard version
Gommatela	NBR/Cotton Fabric
Versioni Alternative	Alternative Versions
Gommatela FKM	NBR/Cotton Fabric FKM
Pressione fino a / Pressure up to	
25 MPa	
Velocità fino a / Speed up to	
0.5 m/s	
Temperatura / Temperature	
-30°C +110°C	-20°C +200°C FKM
Applicazioni	Applications
Cilindri idraulici per agricoltura Cilindri per industria leggera	Agricultural cylinders Light duty Industrial cylinders



Guarnizioni per STELO
ROD seals

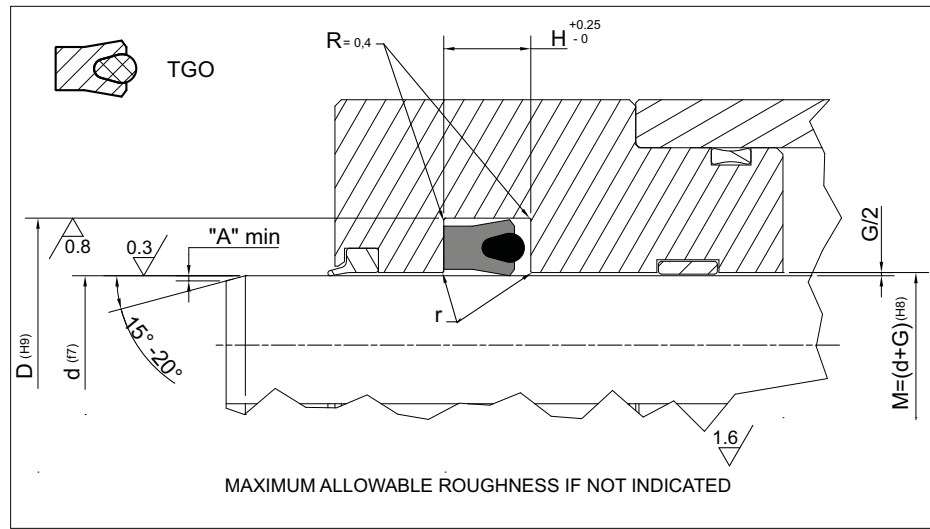
TGO

26÷29



www.prhseals.com

PRH SEALS GROUP (INDIA)



Rod Seal design guidelines

	0mm < d ≤ 50mm	50mm < d ≤ 100mm	100mm < d ≤ 150mm	d ≥ 150mm
r	remove sharp edges			
A	1 mm	2 mm	3 mm	3 mm < A ≤ 5 mm

Operating pressure to determinate Maximum Gap Allowance: G/2

G	Profile Dimension	> 16 MPa	> 25 MPa
	≤ 5	> 5.0 – 7.5	0.50 mm
> 5.0 – 7.5	> 7.5 – 12.5	0.55 mm	0.45 mm
> 7.5 – 12.5	15	0.60 mm	0.50 mm
15		0.65 mm	0.55 mm

PART NR		DIMENSIONI SEDI / Housing dimensions		
		d	D	H
TGO 2501	047019	5,00	12,00	6,40
TGO 2502	051023	6,00	13,00	6,40
TGO 2503	059031	8,00	15,00	6,40
TGO 2504	066039	10,00	17,00	6,40
TGO 2504/1	066039/S1	10,00	18,00	6,50
TGO 2504/2	066039/S2	10,00	18,00	8,50
TGO 2505	074047	12,00	19,00	6,40
TGO 2506	086055	14,00	22,00	6,40
TGO 2507	090059	15,00	23,00	6,40
TGO 2508	094063	16,00	24,00	6,40
TGO 2509	102070	18,00	26,00	6,40
TGO 2510	110078	20,00	28,00	6,40
TGO 2511	118086	22,00	30,00	6,40
TGO 2511/1	125094	24,00	32,00	5,00
TGO 2512	129098	25,00	33,00	6,40
TGO 2513	141110	28,00	36,00	6,40
TGO 2514	149118	30,00	38,00	6,40
TGO 2515	157125	32,00	40,00	6,40
TGO 2516	169137	35,00	43,00	6,40
TGO 2516/1	169137/S1	35,00	43,00	8,50
TGO 2517	173141	36,00	44,00	6,40
TGO 2518	188157	40,00	48,00	6,40
TGO 2519	196165	42,00	50,00	6,40
TGO 2519/1	208177	45,00	53,00	8,50
TGO 2520	216177	45,00	55,00	8,00
TGO 2521	236196	50,00	60,00	8,00
TGO 2521/1	244196	50,00	62,00	9,60

