



## TTH

Guarnizioni per STELO  
ROD seals

## TECNOLAN

[www.prhseals.com](http://www.prhseals.com)

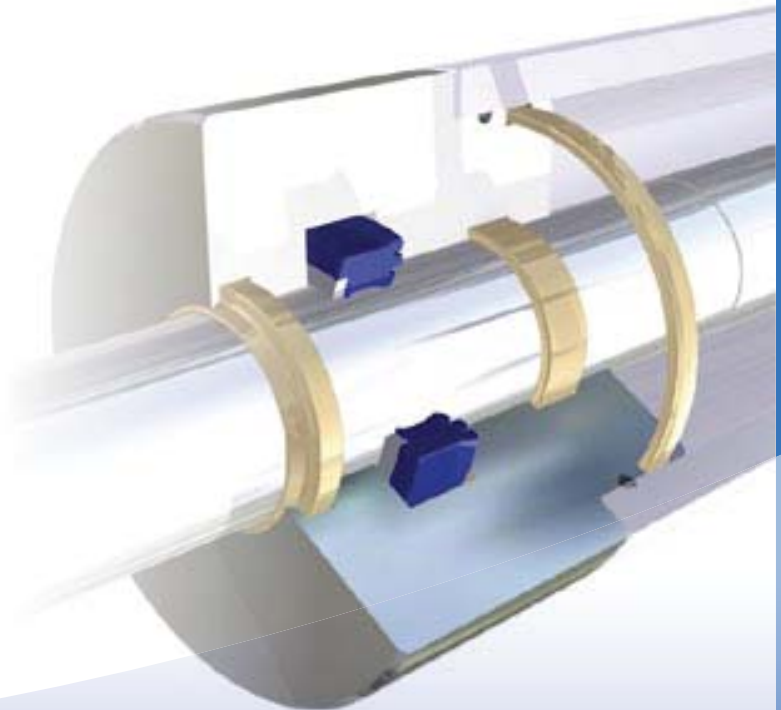
<b>Versione standard</b>	<b>Standard version</b>
Poliuretano PB508 +POM	Polyurethane PB508+POM
<b>Pressione fino a / Pressure up to</b>	
40 MPa	
<b>Velocità fino a / Speed up to</b>	
0.5 m/s	
<b>Temperatura / Temperature</b>	
-35°C +100°C	
<b>Applicazioni</b>	<b>Applications</b>
Macchine movimento terra Presse per Stampaggio Cilindri per Gru	Earth moving Machinery Presses Crane Cylinders



Guarnizioni per STELO  
ROD seals

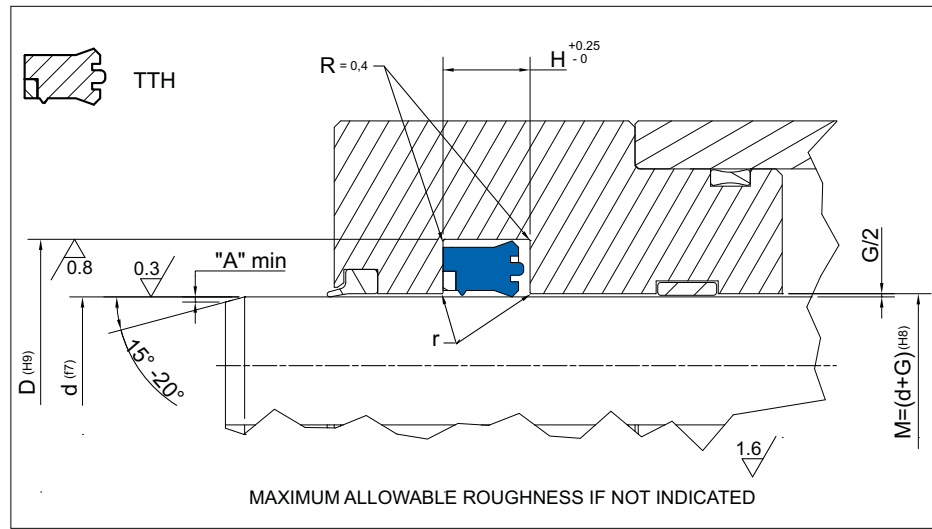
## TTH

78÷81



[www.prhseals.com](http://www.prhseals.com)

**PRH SEALS GROUP (INDIA)**



**Rod Seal design guidelines**

	0mm < d ≤ 50mm	50mm < d ≤ 100mm	100mm < d ≤ 150mm	d ≥ 150mm
r	remove sharp edges			
A	1 mm	2 mm	3 mm	3 mm < A ≤ 5 mm

**Operating pressure to determinate Maximum Gap Allowance: G/2**

G	Profile Dimension	> 16 MPa	> 26 MPa	> 32 MPa	> 40 MPa
	≤ 5		0.50 mm	0.40 mm	0.35 mm
> 5.0 – 7.5		0.55 mm	0.45 mm	0.40 mm	0.35 mm
> 7.5 – 12.5		0.60 mm	0.50 mm	0.45 mm	0.40 mm
15		0.65 mm	0.55 mm	0.45 mm	0.40 mm

PART NR	DIMENSIONI SEDI / Housing dimensions		
	d	D	H
TTH 900	32,00	42,00	8,00
TTH 901	40,00	50,00	8,00
TTH 902	45,00	55,00	8,00
TTH 903	50,00	65,00	12,50
TTH 903/2	50,00	65,00	11,00
TTH 903/1	56,00	66,00	10,00
TTH 904	56,00	71,00	12,50
TTH 905	60,00	75,00	13,00
TTH 905/1	60,00	80,00	13,00
TTH 906	63,00	78,00	6,30
TTH 907	63,00	78,00	12,50
TTH 908	65,00	80,00	13,00
TTH 909	70,00	85,00	12,50
TTH 909/1	70,00	90,00	13,00
TTH 910	75,00	90,50	6,30
TTH 911	75,00	90,00	13,00
TTH 911/1	75,00	90,00	12,50
TTH 912	80,00	95,00	12,50
TTH 913	80,00	95,00	6,30
TTH 914	82,55	98,20	13,00
TTH 915	85,00	100,00	13,00
TTH 915/1	85,00	100,00	12,50
TTH 916	85,00	100,50	6,30
TTH 917	90,00	105,00	6,30
TTH 918	90,00	105,00	13,00
TTH 918/1	90,00	105,00	12,50
TTH 919	95,00	110,00	13,00

